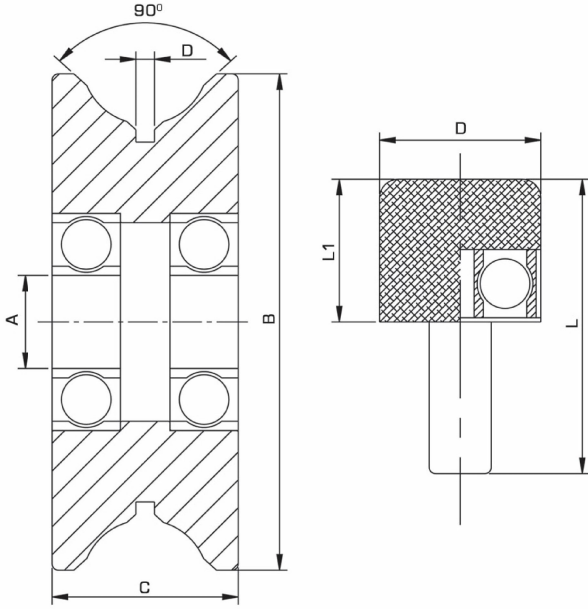


## RAY VE DENGE MAKARALARI



## RAİL & BALANCE REELS



### RAY MAKARALARI

ÜRÜN KODU (CODE)	A	B	C	D
40 mm KMM-YMM-YPM	8	40	24	3
50 mm KMM-YMM-YPM	10	50	24	3
60 mm KMM-YMM-YPM	12	60	29	3
70 mm KMM-YMM-YPM	15	70	29	3
80 mm KMM-YMM-YPM	15	80	29	3
90 mm KMM-YMM-YPM	17	90	30	3
100 mm KMM-YMM-YPM	17	100	30	3
120 mm KMM-YMM-YPM	17	120	32	3

### DENGE MAKARALARI

ÜRÜN KODU (CODE)	D	L	L1
METAL	30	88	40
PLASTİK	35	88	40
MAŞALI PLASTİK			