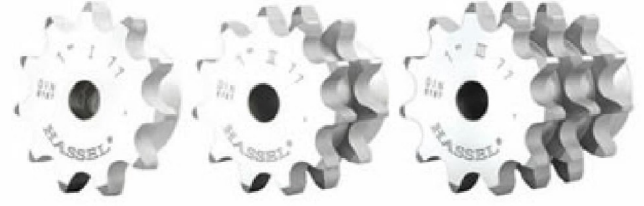
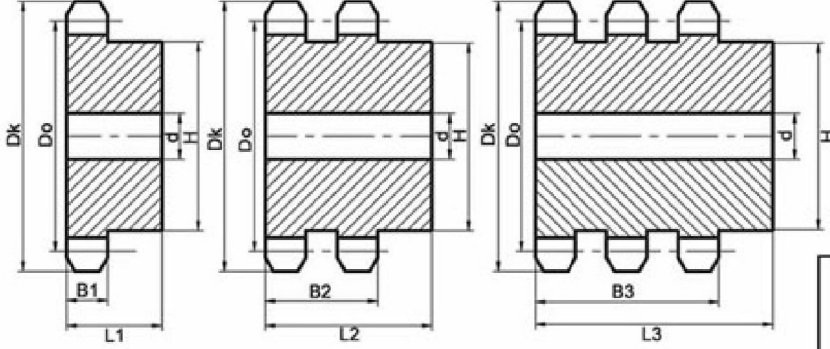


6 mm

04 B

ZİNCİR DİŞLİLERİ (DIN 8187 ISO / R 606)
SPROCKETS (DIN 8187 ISO / R 606)



Perno Çapı Roller Ø 4 mm	Hatve Pitch 6 mm	B1: 2,6 mm

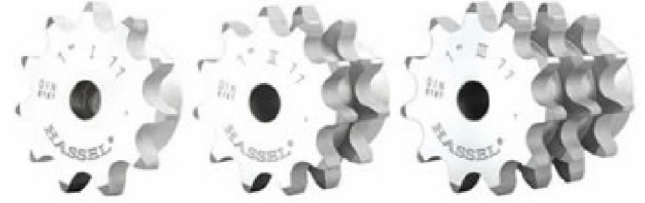
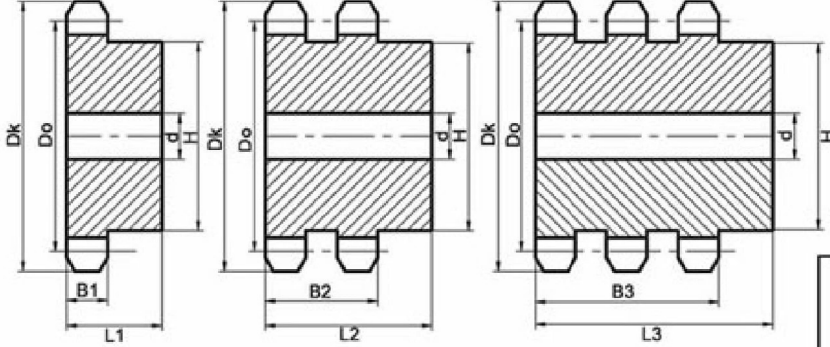
Z	Dk	Do	H	d	L1	L2	L3
7	16	13.83	7	4	10	---	---
8	17.5	15.68	9	4	10	---	---
9	19.5	17.54	11	4	10	---	---
10	21.5	19.42	13	4	10	---	---
11	23.5	21.30	14	4	10	---	---
12	25	23.18	16	4	10	---	---
13	27	25.07	17	4	10	---	---
14	29	26.96	19	4	10	---	---
15	31	28.86	21	6	10	---	---
16	33	30.75	23	6	10	---	---
17	34.5	32.65	25	6	10	---	---
18	36.5	34.55	27	6	10	---	---
19	38.5	36.45	29	6	10	---	---
20	40	38.36	31	6	10	---	---
21	42	40.26	33	6	10	---	---
22	44	42.16	35	6	10	---	---
23	46	44.06	37	6	10	---	---
24	48	45.97	39	6	10	---	---
25	49.5	47.87	41	6	10	---	---
26	52	49.78	43	6	10	---	---
27	53.5	51.68	45	6	10	---	---
28	55.5	53.59	47	6	10	---	---
29	57.5	55.49	49	6	10	---	---
30	59.5	57.40	51	8	14	---	---
31	61.5	59.31	53	8	14	---	---
32	63.5	61.21	55	8	14	---	---
33	65	63.12	56	8	14	---	---
34	67	65.03	58	8	14	---	---
35	69	66.93	60	8	14	---	---
36	71	68.84	62	8	14	---	---
37	73	70.75	64	8	14	---	---
38	74.5	72.66	66	8	14	---	---
39	76.5	74.57	68	8	14	---	---
40	78.5	76.47	70	8	14	---	---

Z	Dk	Do	H	d	L1	L2	L3
41	80.5	78.38	72	8	14	---	---
42	82.5	80.29	74	8	14	---	---
43	84	82.20	76	8	14	---	---
44	86	84.11	78	8	14	---	---
45	88	86.01	79	8	14	---	---
46	90	87.92	81	10	14	---	---
47	92	89.83	83	10	14	---	---
48	94	91.74	85	10	14	---	---
49	95.5	93.65	87	10	14	---	---
50	97.5	95.56	89	10	14	---	---
51	99.5	97.45	91	10	14	---	---
52	101.5	99.36	93	10	14	---	---
53	103.5	101.27	94	10	14	---	---
54	105	103.18	96	10	14	---	---
55	107	105.10	97	10	14	---	---
56	109	107.0	99	10	14	---	---
57	111	108.92	101	10	14	---	---
58	113	110.82	102	10	14	---	---
59	115	112.73	104	10	14	---	---
60	116.5	114.64	105	10	14	---	---
61	118.5	116.56	107	10	14	---	---
65	126	124.10	117	10	14	---	---
70	136	133.74	126	10	14	---	---
75	145	143.28	75 *	16	33	---	---
76	147.5	145.19	76 *	16	33	---	---
80	155	152.83	77 *	16	33	---	---
85	164.5	162.38	78 *	16	33	---	---
90	174	171.92	80 *	16	33	---	---
95	183.5	181.47	80 *	16	33	---	---
100	193	191.02	85 *	16	33	---	---
105	202.5	200.57	90 *	16	34	---	---
110	212	210.11	95 *	16	34	---	---
114	220	217.75	95 *	16	34	---	---
120	231	229.21	95 *	16	34	---	---

*Bu Ürünler Kaynaklıdır. * Welded Hub Series

8 mm 05 B

ZİNCİR DİŞLİLERİ (DIN 8187 ISO / R 606) SPROCKETS (DIN 8187 ISO / R 606)



Perno Çapı Roller Ø 5 mm	Hatve Pitch 8 mm	B1: 2,8 mm
		B2: 8,3 mm

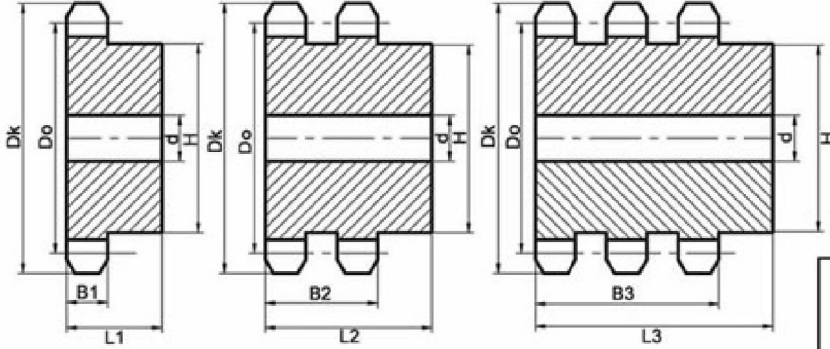
Z	Dk	Do	H	d	L1	L2	L3
7	21	18.44	10	6	15	20	---
8	23.5	20.90	12	6	15	20	---
9	26	23.39	14	6	15	20	---
10	29.5	25.89	16	6	15	20	---
11	31	28.40	18	6	15	20	---
12	33.5	30.91	21	8	15	20	---
13	36	33.43	23	8	15	20	---
14	38.5	35.95	25	8	15	20	---
15	41	38.48	28	8	15	20	---
16	43.5	41.01	30	8	15	20	---
17	46	43.54	33	8	15	20	---
18	48.5	46.07	35	8	15	20	---
19	51	48.60	38	8	15	20	---
20	53.5	51.14	40	8	15	20	---
21	56	53.68	43	10	16	22	---
22	58.5	56.21	45	10	16	22	---
23	61.5	58.75	48	10	16	22	---
24	64	61.29	50	10	16	22	---
25	66.5	63.83	53	10	16	22	---
26	69	66.37	55	10	16	22	---
27	71.5	68.91	58	10	16	22	---
28	74	71.45	60	10	16	22	---
29	76.5	73.99	63	10	16	22	---
30	79	76.53	65	10	16	22	---
31	81.5	79.08	68	10	16	22	---
32	84	81.62	70	10	16	22	---
33	86.5	84.16	73	10	16	22	---
34	89	86.70	75	10	16	22	---
35	91.5	89.25	78	10	16	22	---
36	94.5	91.79	80	12	20	26	---
37	97	94.33	83	12	20	26	---
38	99.5	96.88	85	12	20	26	---
39	102	99.42	88	12	20	26	---
40	104.5	101.96	90	12	20	26	---

Z	Dk	Do	H	d	L1	L2	L3
41	107	104.51	93	12	20	26	---
42	109.5	107.05	96	12	20	26	---
43	112	109.60	98	12	20	26	---
44	114.5	112.14	101	12	20	26	---
45	117	114.68	103	12	20	26	---
46	120	117.23	106	16	20	26	---
47	122.5	119.77	109	16	20	26	---
48	125	122.32	112	16	20	26	---
49	127.5	124.86	115	16	20	26	---
50	130	127.41	118	16	20	26	---
51	132.5	129.93	121	16	20	26	---
52	135	132.48	124	16	20	26	---
53	137.5	135.03	127	16	20	26	---
54	140	137.57	130	16	20	26	---
55	142.5	140.13	75 *	16	33	36.5	---
56	145	142.67	75 *	16	33	36.5	---
57	147.5	145.22	75 *	16	33	36.5	---
58	150	147.77	75 *	16	33	36.5	---
59	153	150.32	75 *	16	33	36.5	---
60	155.5	152.86	75 *	16	33	36.5	---
61	158	155.41	75 *	16	33	36.5	---
65	168	165.59	75 *	16	33	36.5	---
70	181	178.31	80 *	16	33	36.5	---
75	193.5	191.04	80 *	16	33	36.5	---
76	196	193.59	80 *	16	33	36.5	---
80	206.5	203.77	85 *	20	35	38.5	---
85	219	216.50	90 *	20	35	38.5	---
90	231.5	229.23	90 *	20	35	38.5	---
95	244.5	241.96	90 *	20	35	38.5	---
100	257	254.69	90 *	20	35	38.5	---
105	270	267.42	90 *	20	35	38.5	---
110	282.5	280.15	90 *	20	35	38.5	---
114	293	290.34	90 *	20	35	38.5	---
120	308	305.61	90 *	20	35	38.5	---

*Bu Ürünler Kaynaklıdır. * Welded Hub Series

3 / 8 " 06 B

ZİNCİR DİŞLİLERİ (DIN 8187 ISO / R 606) SPROCKETS (DIN 8187 ISO / R 606)



Perno Çapı Roller Ø 6,35 mm	Hatve Pitch 9,525 mm	B1: 5,3 mm
		B2: 15,6 mm
		B3: 25,6 mm

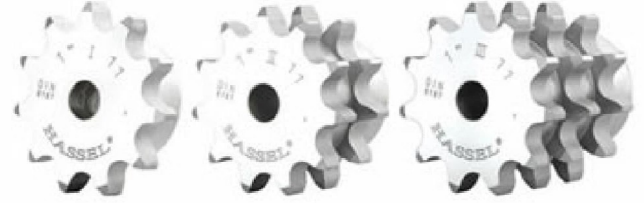
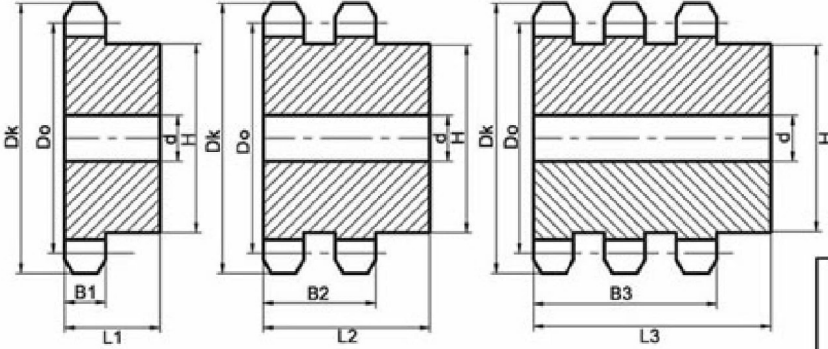
Z	Dk	Do	H	d	L1	L2	L3
7	25	21.95	11	8	24	34	44
8	28	24.89	14	8	24	34	44
9	29.5	27.85	17	8	24	34	44
10	34	30.82	20	10	24	34	44
11	37	33.81	23	10	24	34	44
12	39.5	36.80	26	10	24	34	44
13	43	39.80	29	10	24	34	44
14	44.5	42.81	32	10	24	34	44
15	49	45.81	35	10	24	34	44
16	52	48.82	37	10	24	34	44
17	54.5	51.84	40	12	24	34	44
18	58	54.85	43	12	24	34	44
19	59.5	57.87	46	12	24	34	44
20	64	60.89	49	12	24	34	44
21	67	63.91	52	12	24	34	44
22	69.5	66.93	55	12	24	34	44
23	73	69.95	58	12	24	34	44
24	74.5	72.97	61	12	24	34	44
25	79	76.00	64	12	24	34	44
26	82	79.02	67	12	24	34	44
27	84.5	82.05	70	12	24	34	44
28	88	85.07	72	12	24	34	44
29	91	88.10	75	12	24	34	44
30	94	91.12	78	12	24	34	44
31	97	94.15	81	12	24	34	44
32	99.5	97.18	83	12	24	34	44
33	103	100.20	85	12	24	34	44
34	107	103.23	88	12	24	34	44
35	109	106.26	91	12	24	34	44
36	112	109.29	94	16	24	34	44
37	114.5	112.31	97	16	24	34	44
38	119	115.34	100	16	24	34	44
39	122	118.37	104	16	24	34	44
40	124.5	121.40	107	16	24	34	44

Z	Dk	Do	H	d	L1	L2	L3
41	127	124.43	110	16	24	34	44
42	129.5	127.46	113	16	24	34	44
43	134	130.49	116	16	24	34	44
44	137	133.52	119	16	24	34	44
45	139	136.55	122	16	24	34	44
46	143	139.58	80 *	16	33	43	53
47	146	142.61	80 *	16	33	43	53
48	149	145.61	80 *	16	33	43	53
49	152	148.67	80 *	16	33	43	53
50	155	151.70	80 *	16	33	43	53
51	158	154.73	85 *	16	34	44	54
52	161	157.75	85 *	16	34	44	54
53	164	160.78	85 *	16	34	44	54
54	167	163.81	85 *	16	34	44	54
55	170	166.85	90 *	16	35	45	55
56	173	169.88	90 *	16	35	45	55
57	176	172.91	90 *	16	35	45	55
58	179	175.94	90 *	16	35	45	55
59	182	178.97	90 *	16	35	45	55
60	185	182.00	90 *	16	35	45	55
61	188	185.03	90 *	16	35	45	55
65	200	197.15	90 *	16	35	45	55
70	215	212.30	90 *	16	35	45	55
75	230	227.46	100 *	16	36	46	56
76	234	230.49	100 *	16	36	46	56
80	246	242.61	100 *	16	36	46	56
85	261	257.77	100 *	16	36	46	56
90	276	272.93	120 *	16	39	49	59
95	291	288.08	120 *	16	39	49	59
100	306	303.24	120 *	16	39	49	59
105	321	318.40	120 *	16	39	49	59
110	337	333.56	120 *	16	39	49	59
114	349	345.68	120 *	16	39	49	59
120	367	363.87	120 *	16	39	49	59

*Bu Ürünler Kaynaklıdır. * Welded Hub Series

1 / 2 " 08 B

ZİNCİR DİŞLİLERİ (DIN 8187 ISO / R 606) SPROCKETS (DIN 8187 ISO / R 606)



Perno Çapı Roller Ø 8,51 mm	Hatve Pitch 12,7 mm	B1: 7,2 mm
		B2: 21 mm
		B3: 34,9 mm

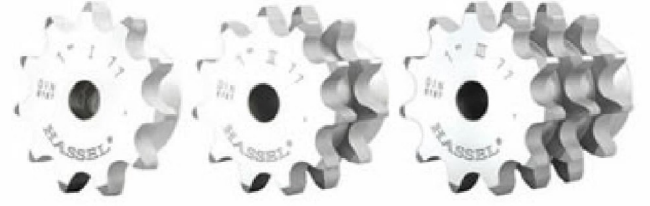
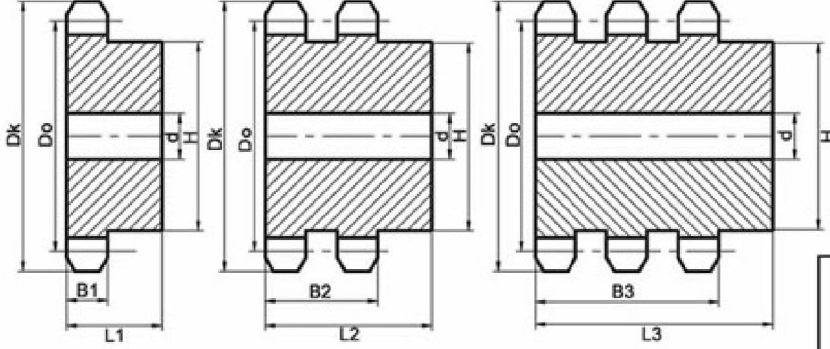
Z	Dk	Do	H	d	L1	L2	L3
7	34	29.27	16	10	26	40	54
8	38	33.19	20	10	26	40	54
9	42	37.13	24	10	26	40	54
10	44.5	41.1	28	10	26	40	54
11	49	45.1	32	12	26	40	54
12	54	49.1	36	12	26	40	54
13	58	53.1	40	12	26	40	54
14	62	57.1	44	12	26	40	54
15	64.5	61.1	48	12	26	40	54
16	69	65.1	52	12	26	40	54
17	74	69.1	56	12	26	40	54
18	78	73.1	60	12	26	40	54
19	82	77.2	64	12	26	40	54
20	84.5	81.2	67	12	26	40	54
21	89	85.2	71	12	26	40	54
22	94	89.2	75	12	26	40	54
23	98	93.3	79	12	26	40	54
24	102	97.3	82	12	26	40	54
25	104.5	101.3	86	12	26	40	54
26	109	105.4	90	16	26	40	54
27	114	109.4	94	16	26	40	54
28	118	113.4	98	16	26	40	54
29	122	117.5	102	16	26	40	54
30	124.5	121.5	106	16	26	40	54
31	129	125.5	110	16	26	40	54
32	134	129.6	114	16	26	40	54
33	139	133.6	118	16	26	40	54
34	143	137.6	80 *	16	35	49	63
35	147	141.7	80 *	16	35	49	63
36	151	145.7	80 *	16	35	49	63
37	155	149.8	80 *	16	35	49	63
38	159	153.8	85 *	16	36	50	64
39	163	157.8	85 *	16	36	50	64
40	167	161.9	85 *	16	36	50	64

Z	Dk	Do	H	d	L1	L2	L3
41	171	165.9	85 *	16	36	50	64
42	175	170.0	85 *	16	36	50	64
43	179	174.0	85 *	16	36	50	64
44	183	178.0	85 *	16	36	50	64
45	187	182.1	90 *	16	37	51	65
46	191	186.1	90 *	16	37	51	65
47	195	190.1	90 *	16	37	51	65
48	199	194.2	90 *	16	37	51	65
49	203	198.2	90 *	16	37	51	65
50	207	202.3	90 *	16	37	51	65
51	211	206.3	90 *	16	37	51	65
52	215	210.34	100 *	16	38	52	66
53	219	214.38	100 *	16	38	52	66
54	223	218.42	100 *	16	38	52	66
55	227	222.46	100 *	16	38	52	66
56	231	226.5	100 *	16	38	52	66
57	235	230.54	100 *	16	38	52	66
58	239	234.58	100 *	20	38	52	66
59	243	238.62	100 *	20	38	52	66
60	247	242.66	100 *	20	38	52	66
61	252	246.7	100 *	20	38	52	66
65	268	262.9	110 *	20	39	53	67
70	288	283.1	110 *	20	39	53	67
75	308	303.3	110 *	20	39	53	67
76	312	307.3	110 *	20	39	53	67
80	328	323.5	110 *	20	39	53	67
85	349	343.7	110 *	20	39	53	67
90	369	363.9	110 *	20	39	53	67
95	389	384.1	110 *	20	39	53	67
100	409	404.3	120 *	20	39	53	67
105	429.5	424.5	120 *	20	39	53	67
110	450	444.7	120 *	20	39	53	67
114	466	460.9	120 *	20	39	53	67
120	490	485.2	120 *	20	39	53	67

*Bu Ürünler Kaynaklıdır. * Welded Hub Series

5 / 8 " 10 B

ZİNCİR DİŞLİLERİ (DIN 8187 ISO / R 606) SPROCKETS (DIN 8187 ISO / R 606)



Perno Çapı Roller Ø 10,16 mm	Hatve Pitch 15,88 mm	B1: 9,1 mm
		B2: 25,6 mm
		B3: 42,1 mm

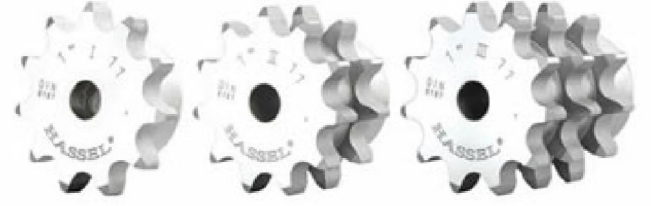
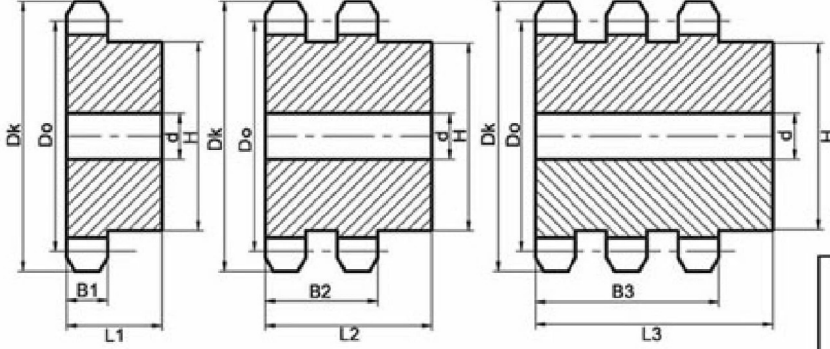
Z	Dk	Do	H	d	L1	L2	L3
7	43	36.59	20	10	30	46	62
8	48	41.48	25	10	30	46	62
9	53	46.42	30	10	30	46	62
10	58	51.37	35	16	30	46	62
11	63	56.3	40	16	30	46	62
12	68	61.3	45	16	30	46	62
13	73	66.3	50	16	30	46	62
14	78	71.3	55	16	30	46	62
15	83	76.4	60	16	30	46	62
16	88	81.4	65	16	30	46	62
17	93	86.4	70	16	30	46	62
18	98	91.4	75	16	30	46	62
19	104	96.5	80	16	30	46	62
20	108	101.5	85	16	30	46	62
21	114	106.5	90	16	30	46	62
22	119	111.6	95	16	30	46	62
23	124	116.6	100	16	30	46	62
24	129	121.6	105	16	30	46	62
25	134	126.7	110	16	30	46	62
26	139	131.7	115	16	30	46	62
27	144	136.7	80 *	16	37	53	69
28	149	141.8	80 *	16	37	53	69
29	154	146.8	80 *	16	37	53	69
30	159	151.9	80 *	16	37	53	69
31	164	156.9	85 *	16	38	54	70
32	169	162.0	85 *	16	38	54	70
33	174	167.0	85 *	16	38	54	70
34	179	172.1	85 *	16	38	54	70
35	184	177.1	85 *	16	38	54	70
36	189	182.1	85 *	16	38	54	70
37	194	187.2	85 *	16	38	54	70
38	199	192.2	90 *	16	39	55	71
39	204	197.3	90 *	16	39	55	71
40	209	202.3	90 *	16	39	55	71

Z	Dk	Do	H	d	L1	L2	L3
41	214	207.4	90 *	16	39	55	71
42	219	212.4	90 *	16	39	55	71
43	224	217.5	90 *	16	39	55	71
44	229	222.5	90 *	16	39	55	71
45	234	227.6	95 *	16	39	55	71
46	239	232.6	95 *	20	39	55	71
47	245	237.7	95 *	20	39	55	71
48	250	242.7	95 *	20	39	55	71
49	255	247.8	95 *	20	39	55	71
50	260	252.8	95 *	20	39	55	71
51	265	257.88	95 *	20	39	55	71
52	270	262.93	100 *	20	40	56	72
53	275	267.97	100 *	20	40	56	72
54	280	273.02	100 *	20	40	56	72
55	285	278.08	100 *	20	40	56	72
56	290	283.13	100 *	20	40	56	72
57	295	288.18	100 *	20	40	56	72
58	300	293.23	100 *	20	40	56	72
59	305	298.28	100 *	20	40	56	72
60	310	303.3	110 *	20	42	58	74
61	315	308.38	110 *	20	42	58	74
65	335	328.6	110 *	20	42	58	74
70	361	353.8	110 *	20	42	58	74
75	386	379.1	110 *	20	42	58	74
76	391	384.2	110 *	20	42	58	74
80	411	404.4	120 *	20	42	58	74
85	436	429.6	120 *	20	42	58	74
90	462	454.9	120 *	25	42	58	74
95	487	480.1	120 *	25	42	58	74
100	512	505.4	130 *	25	44	60	76
105	538	530.7	130 *	25	44	60	76
110	563	555.9	130 *	25	44	60	76
114	583	576.1	140 *	25	45	61	77
120	613	606.5	140 *	25	45	61	77

*Bu Ürünler Kaynaklıdır. * Welded Hub Series

3 / 4 " 12 B

ZİNCİR DİŞLİLERİ (DIN 8187 ISO / R 606) SPROCKETS (DIN 8187 ISO / R 606)



Perno Çapı Roller Ø 12,07 mm	Hatve Pitch 19,05 mm	B1: 11,1 mm
		B2: 30,3 mm
		B3: 49,8 mm

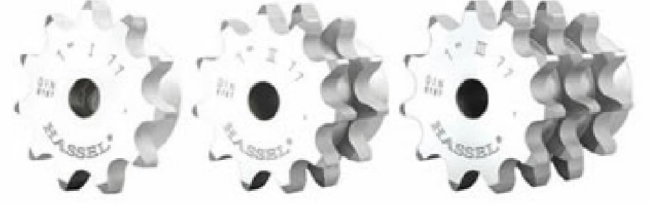
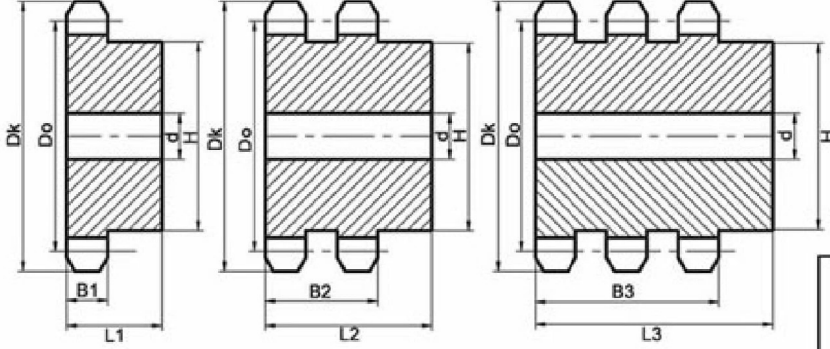
Z	Dk	Do	H	d	L1	L2	L3
7	53	43.9	26	16	32	51	71
8	59	49.8	32	16	32	51	71
9	64	55.7	38	16	32	51	71
10	69	61.6	44	16	32	51	71
11	74.5	67.6	50	16	32	51	71
12	83	73.6	56	16	32	51	71
13	88	79.6	62	16	32	51	71
14	94	85.6	68	16	32	51	71
15	99.5	91.6	74	16	32	51	71
16	104.5	97.6	80	16	32	51	71
17	113	103.7	86	16	32	51	71
18	119	109.7	92	16	32	51	71
19	124	115.7	98	16	32	51	71
20	129.5	121.8	104	16	32	51	71
21	134.5	127.8	110	16	32	51	71
22	143	133.9	80 *	20	39	58	77
23	149	139.9	80 *	20	39	58	77
24	155	145.9	80 *	20	39	58	77
25	161	152.0	80 *	20	39	58	77
26	167	158.0	85 *	20	40	59	78
27	173	164.1	85 *	20	40	59	78
28	179	170.1	85 *	20	40	59	78
29	185	176.2	85 *	20	40	59	78
30	191	182.3	90 *	20	41	60	79
31	197	188.3	90 *	20	41	60	79
32	203	194.4	90 *	20	41	60	79
33	209	200.4	90 *	20	41	60	79
34	215	206.5	90 *	20	41	60	79
35	221	212.5	95 *	20	41	60	79
36	228	218.6	95 *	20	41	60	79
37	234	224.6	95 *	20	41	60	79
38	240	230.7	95 *	20	41	60	79
39	246	236.8	95 *	20	41	60	79
40	252	242.8	95 *	20	41	60	79

Z	Dk	Do	H	d	L1	L2	L3
41	258	248.9	100 *	20	42	61	80
42	264	254.9	100 *	20	42	61	80
43	270	261.0	100 *	20	42	61	80
44	276	267.0	100 *	20	42	61	80
45	282	273.1	100 *	20	42	61	80
46	288	279.2	110 *	20	43	62	81
47	294	285.2	110 *	20	43	62	81
48	300	291.3	110 *	20	43	62	81
49	306	297.3	110 *	20	43	62	81
50	312	303.4	110 *	20	43	62	81
51	318	309.45	110 *	20	43	62	81
52	325	315.51	110 *	20	43	62	81
53	331	321.57	120 *	20	43	62	81
54	337	327.63	120 *	20	43	62	81
55	343	333.69	120 *	20	43	62	81
56	349	339.75	120 *	20	43	62	81
57	355	345.81	120 *	20	43	62	81
58	361	351.87	120 *	20	43	62	81
59	367	357.93	120 *	20	43	62	81
60	374	363.99	130 *	25	45	64	83
61	379	370.06	130 *	25	45	64	83
65	403	394.3	130 *	25	45	64	83
70	433	424.6	130 *	25	45	64	83
75	465	454.9	130 *	25	45	64	83
76	470	461.0	130 *	25	45	64	83
80	494	485.2	130 *	25	45	64	83
85	525	515.6	140 *	25	46	65	84
90	555	545.9	140 *	25	46	65	84
95	585	576.2	140 *	25	46	65	84
100	615	606.5	140 *	25	46	65	84
105	646	636.8	140 *	25	46	65	84
110	676	667.1	140 *	25	46	65	84
114	700	691.4	140 *	25	46	65	84
120	737	727.7	140 *	25	46	65	84

*Bu Ürünler Kaynaklıdır. * Welded Hub Series

1 " 16 B

ZİNCİR DİŞLİLERİ (DIN 8187 ISO / R 606) SPROCKETS (DIN 8187 ISO / R 606)



Perno Çapı Roller Ø 15,88 mm	Hatve Pitch 25,4 mm	B1: 16,2 mm
		B2: 47,7 mm
		B3: 79,6 mm

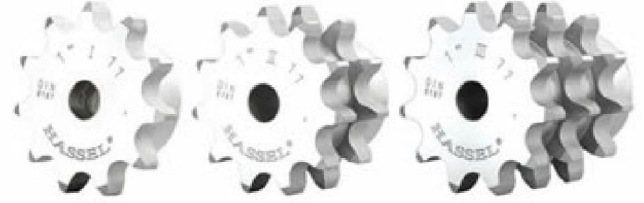
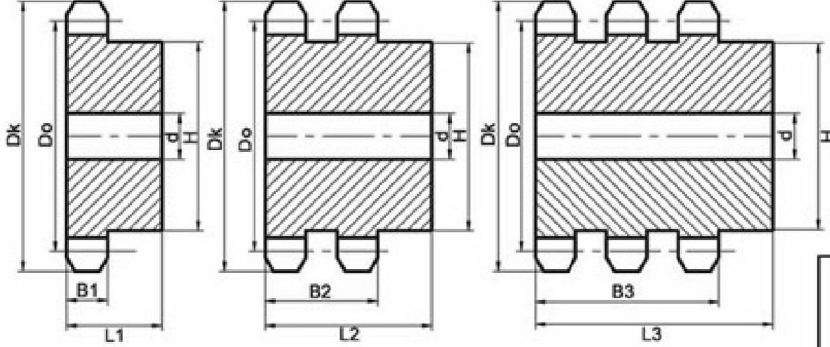
Z	Dk	Do	H	d	L1	L2	L3
7	69	58.55	36	16	40	72	104
8	78	66.37	43	16	40	72	104
9	84	74.27	52	16	40	72	104
10	94	82.19	60	16	40	72	104
11	99.5	90.1	66	20	40	72	104
12	109	98.1	74	20	40	72	104
13	118	106.1	82	20	40	72	104
14	124	114.1	90	20	40	72	104
15	134	122.2	98	20	40	72	104
16	139	130.2	106	20	40	72	104
17	149	138.2	112	20	40	72	104
18	158	146.3	120	20	40	72	104
19	166	154.3	110 *	25	47	79	111
20	174	162.4	110 *	25	47	79	111
21	182	170.4	110 *	25	47	79	111
22	190	178.5	110 *	25	47	79	111
23	198	186.5	110 *	25	47	79	111
24	207	194.6	110 *	25	47	79	111
25	215	202.7	120 *	25	47	79	111
26	223	210.7	120 *	25	47	79	111
27	231	218.8	120 *	25	47	79	111
28	239	226.8	120 *	25	47	79	111
29	247	234.9	120 *	25	47	79	111
30	255	243.0	120 *	25	47	79	111
31	263	251.1	130 *	25	49	81	113
32	271	259.1	130 *	25	49	81	113
33	279	267.2	130 *	25	49	81	113
34	287	275.3	130 *	25	49	81	113
35	295	283.4	130 *	25	49	81	113
36	303	291.4	130 *	25	49	81	113
37	312	299.5	130 *	25	49	81	113
38	320	307.6	130 *	25	49	81	113
39	328	315.7	130 *	25	49	81	113
40	336	323.7	130 *	25	49	81	113

Z	Dk	Do	H	d	L1	L2	L3
41	344	331.8	140 *	25	50	82	114
42	352	339.9	140 *	25	50	82	114
43	360	348.0	140 *	25	50	82	114
44	368	356.1	140 *	25	50	82	114
45	376	364.1	140 *	25	50	82	114
46	384	372.2	140 *	25	50	82	114
47	392	380.3	140 *	25	50	82	114
48	400	388.4	140 *	25	50	82	114
49	408	396.4	140 *	25	50	82	114
50	417	404.5	140 *	25	50	82	114
51	425	412.6	150 *	38	53	85	117
52	433	420.68	150 *	38	53	85	117
53	441	428.76	150 *	38	53	85	117
54	449	436.84	150 *	38	53	85	117
55	457	444.92	150 *	38	53	85	117
56	465	453.0	150 *	38	53	85	117
57	473	461.08	150 *	38	53	85	117
58	481	469.16	150 *	38	53	85	117
59	489	477.24	150 *	38	53	85	117
60	497	485.33	150 *	38	53	85	117
61	505	493.41	150 *	38	53	85	117
65	538	525.7	150 *	38	53	85	117
70	578	566.1	150 *	38	53	85	117
75	619	606.6	150 *	38	53	85	117
76	627	614.6	150 *	38	53	85	117
80	659	647.0	160 *	38	53	85	117
85	699	687.4	160 *	38	53	85	117
90	740	727.8	160 *	38	53	85	117
95	780	768.2	160 *	38	53	85	117
100	821	808.6	160 *	38	53	85	117
105	861	849.1	160 *	38	53	85	117
110	901	889.5	160 *	38	53	85	117
114	933	921.8	160 *	38	53	85	117
120	982	970.3	160 *	38	53	85	117

*Bu Ürünler Kaynaklıdır. * Welded Hub Series

1 1/4 " 20 B

ZİNCİR DİŞLİLERİ (DIN 8187 ISO / R 606) SPROCKETS (DIN 8187 ISO / R 606)



Perno Çapı Roller Ø 19,05 mm	Hatve Pitch 31,75 mm	B1: 18,6 mm
		B2: 54,6 mm
		B3: 91 mm

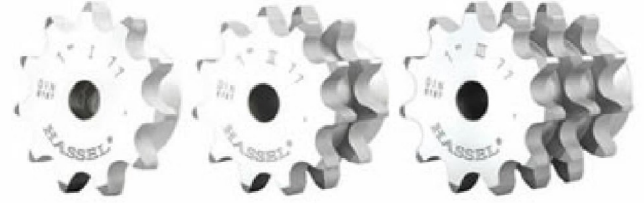
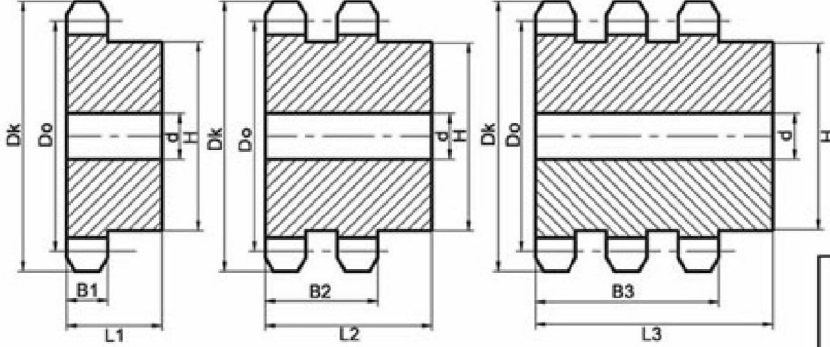
Z	Dk	Do	H	d	L1	L2	L3
7	87	73.18	42	20	50	86	123
8	97	82.96	52	20	50	86	123
9	107	92.81	64	20	50	86	123
10	117	102.74	74	20	50	86	123
11	127	112.7	84	20	50	86	123
12	137	122.7	96	20	50	86	123
13	147	132.7	102	20	50	86	123
14	157	142.7	108	20	50	86	123
15	167	152.7	120	20	50	86	123
16	177	162.7	110 *	25	50	86	123
17	187	172.8	120 *	25	50	86	123
18	197	182.8	120 *	25	50	86	123
19	207	192.9	120 *	25	50	86	123
20	217	202.9	120 *	25	50	86	123
21	227	213.0	130 *	25	52	88	125
22	237	223.1	130 *	25	52	88	125
23	247	233.2	130 *	25	52	88	125
24	257	243.2	130 *	25	52	88	125
25	267	253.3	130 *	25	52	88	125
26	277	263.4	130 *	25	52	88	125
27	288	273.5	130 *	25	52	88	125
28	298	283.6	130 *	25	52	88	125
29	308	293.7	130 *	25	52	88	125
30	318	303.8	140 *	38	53	89	126
31	328	313.8	140 *	38	53	89	126
32	338	323.9	140 *	38	53	89	126
33	348	334.0	140 *	38	53	89	126
34	358	344.1	140 *	38	53	89	126
35	368	354.2	140 *	38	53	89	126
36	378	364.3	140 *	38	53	89	126
37	388	374.4	140 *	38	53	89	126
38	399	384.5	140 *	38	53	89	126
39	409	394.6	140 *	38	53	89	126
40	419	404.7	140 *	38	53	89	126

Z	Dk	Do	H	d	L1	L2	L3
41	429	414.8	150 *	38	53	89	126
42	439	424.9	150 *	38	53	89	126
43	449	434.9	150 *	38	53	89	126
44	459	445.1	150 *	38	53	89	126
45	469	455.2	160 *	38	56	92	129
46	479	465.3	160 *	38	56	92	129
47	489	475.4	160 *	38	56	92	129
48	499	485.5	160 *	38	56	92	129
49	510	495.6	160 *	38	56	92	129
50	520	505.6	160 *	38	56	92	129
51	530	515.75	160 *	38	56	92	129
52	540	525.85	170 *	38	58	94	131
53	550	535.95	170 *	38	58	94	131
54	560	546.05	170 *	38	58	94	131
55	570	556.15	170 *	38	58	94	131
56	580	566.25	170 *	38	58	94	131
57	590	576.35	170 *	38	58	94	131
58	600	586.45	170 *	38	58	94	131
59	610	596.56	170 *	38	58	94	131
60	621	606.66	170 *	38	58	94	131
61	631	616.76	170 *	38	58	94	131
65	671	657.2	170 *	38	58	94	131
70	722	707.7	170 *	38	58	94	131
75	772	758.2	170 *	38	58	94	131
76	782	768.2	170 *	38	58	94	131
80	823	808.7	180 *	38	58	94	131
85	873	859.2	180 *	38	58	94	131
90	924	909.8	180 *	38	58	94	131
95	974	960.3	180 *	38	58	94	131
100	1025	1010.8	180 *	38	58	94	131
105	1075	1061.3	180 *	38	58	94	131
110	1126	1111.9	180 *	38	58	94	131
114	1166	1152.3	180 *	38	58	94	131
120	1227	1212.9	180 *	38	58	94	131

*Bu Ürünler Kaynaklıdır. * Welded Hub Series

1 1 / 2 " 24 B

ZİNCİR DİŞLİLERİ (DIN 8187 ISO / R 606) SPROCKETS (DIN 8187 ISO / R 606)



Perno Çapı Roller Ø 25,4 mm	Hatve Pitch 38,1 mm	B1: 24,1 mm
		B2: 72 mm
		B3: 120,3 mm

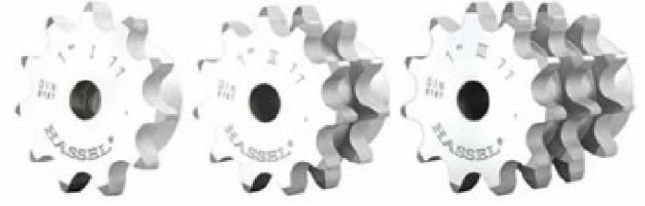
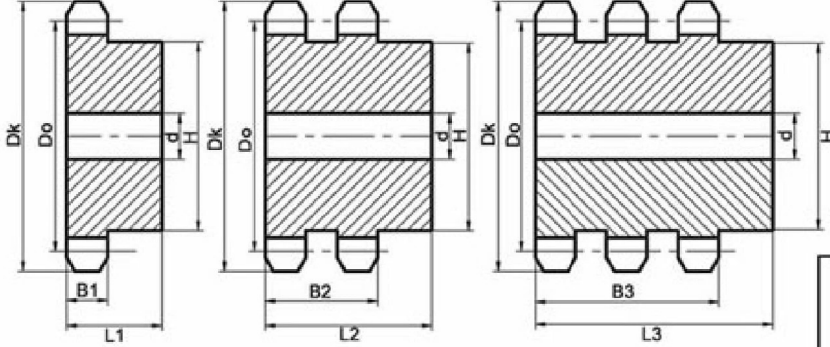
Z	Dk	Do	H	d	L1	L2	L3
7	102	87.8	44	20	60	108	156
8	114	99.6	56	20	60	108	156
9	125	111.4	68	25	60	108	156
10	137	123.3	80	25	60	108	156
11	149	135.2	96	25	60	108	156
12	161	147.2	106	25	60	108	156
13	173	159.2	118	25	60	108	156
14	185	171.2	130	25	60	108	156
15	197	183.3	120 *	25	55	103	152
16	209	195.3	120 *	25	55	103	152
17	221	207.3	120 *	25	55	103	152
18	233	219.4	130 *	25	56	104	153
19	246	231.5	130 *	25	56	104	153
20	258	243.5	130 *	25	56	104	153
21	270	255.6	130 *	25	56	104	153
22	282	267.7	130 *	25	56	104	153
23	294	279.8	130 *	25	56	104	153
24	306	291.9	130 *	25	56	104	153
25	318	304.0	140 *	25	58	106	155
26	330	316.1	140 *	25	58	106	155
27	342	328.2	140 *	25	58	106	155
28	354	340.3	140 *	25	58	106	155
29	366	352.4	140 *	25	58	106	155
30	379	364.5	150 *	38	60	108	157
31	391	376.6	150 *	38	60	108	157
32	403	388.7	150 *	38	60	108	157
33	414	400.8	150 *	38	60	108	157
34	427	412.9	150 *	38	60	108	157
35	439	425.0	150 *	38	60	108	157
36	451	437.2	160 *	38	60	108	157
37	463	449.3	160 *	38	60	108	157
38	475	461.4	160 *	38	60	108	157
39	488	473.5	160 *	38	60	108	157
40	500	485.6	160 *	38	60	108	157

Z	Dk	Do	H	d	L1	L2	L3
41	512	497.7	160 *	38	60	108	157
42	524	509.8	160 *	38	60	108	157
43	536	521.9	160 *	38	60	108	157
44	548	534.1	160 *	38	60	108	157
45	560	546.2	170 *	38	63	111	160
46	572	558.3	170 *	38	63	111	160
47	584	570.4	170 *	38	63	111	160
48	597	582.5	170 *	38	63	111	160
49	609	594.7	170 *	38	63	111	160
50	621	606.8	170 *	38	63	111	160
51	633	618.9	180 *	38	63	111	160
52	645	631.02	180 *	38	63	111	160
53	657	643.14	180 *	38	63	111	160
54	669	655.26	180 *	38	63	111	160
55	681	667.38	180 *	38	63	111	160
56	694	679.5	180 *	38	63	111	160
57	706	691.63	180 *	38	63	111	160
58	718	703.75	180 *	38	63	111	160
59	730	715.87	180 *	38	63	111	160
60	742	727.99	190 *	38	65	113	162
61	754	740.11	190 *	38	65	113	162
65	803	788.6	190 *	38	65	113	162
70	863	849.2	190 *	38	65	113	162
75	923	909.4	190 *	38	65	113	162
76	936	921.9	190 *	38	65	113	162
80	985	970.5	200 *	38	65	113	162
85	1045	1031.1	200 *	38	65	113	162
90	1106	1091.7	200 *	38	65	113	162
95	1166	1152.3	200 *	38	65	113	162
100	1227	1213.0	200 *	38	65	113	162
105	1288	1273.6	200 *	38	65	113	162
110	1348	1334.2	200 *	38	65	113	162
114	1397	1382.7	200 *	38	65	113	162
120	1470	1455.5	200 *	38	65	113	162

*Bu Ürünler Kaynaklıdır. * Welded Hub Series

1 3/4 " 28 B

ZİNCİR DİŞLİLERİ (DIN 8187 ISO / R 606) SPROCKETS (DIN 8187 ISO / R 606)



Perno Çapı Roller Ø 27,94 mm	Hatve Pitch 44,45 mm	B1: 29,4 mm
		B2: 88,4 mm
		B3: 148 mm

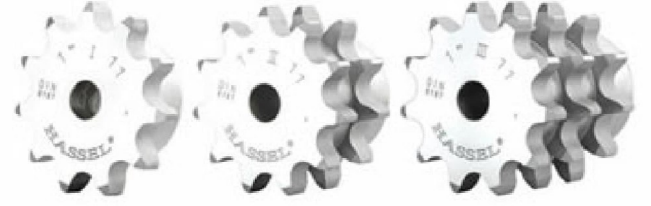
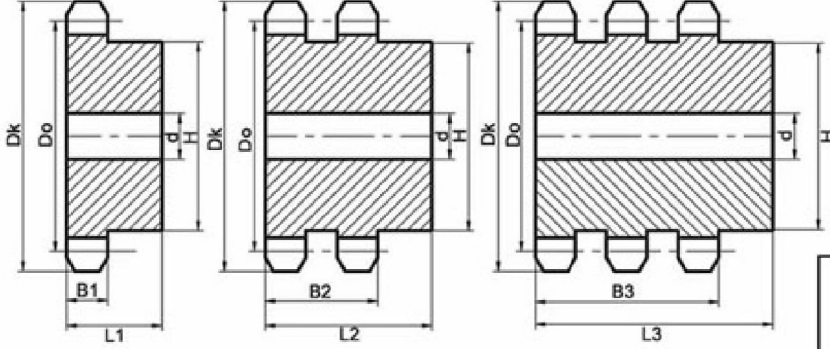
Z	Dk	Do	H	d	L1	L2	L3
7	120	102.5	60	38	60	118	189
8	134	116.1	72	38	60	118	189
9	148	130.0	86	38	60	118	189
10	162	143.8	100	38	60	118	189
11	176	157.8	114	38	60	118	189
12	190	171.8	128	38	60	118	189
13	204	185.8	115 *	38	77	136	196
14	218	199.8	125 *	38	77	136	196
15	232	213.8	140 *	38	77	136	196
16	246	227.9	140 *	38	77	136	196
17	260	241.9	150 *	38	77	136	196
18	274	256.0	150 *	38	77	136	196
19	288	270.1	160 *	38	77	136	196
20	302	284.1	160 *	38	77	136	196
21	316	298.3	170 *	38	77	136	196
22	330	312.3	170 *	38	77	136	196
23	344	326.4	170 *	38	77	136	196
24	358	340.5	170 *	38	77	136	196
25	373	354.7	170 *	38	77	136	196
26	387	368.8	170 *	38	77	136	196
27	401	382.9	170 *	38	77	136	196
28	415	397.0	170 *	38	77	136	196
29	429	411.1	170 *	38	77	136	196
30	443	425.3	170 *	38	77	136	196
31	457	439.4	170 *	38	77	136	196
32	472	453.5	180 *	38	77	136	196
33	486	467.6	180 *	38	77	136	196
34	500	481.7	180 *	38	77	136	196
35	514	495.9	180 *	38	77	136	196
36	528	510.0	180 *	38	77	136	196
37	542	524.2	180 *	38	77	136	196
38	556	538.3	180 *	38	77	136	196
39	570	552.4	180 *	38	77	136	196
40	585	566.6	180 *	38	77	136	196

Z	Dk	Do	H	d	L1	L2	L3
41	599	580.6	180 *	38	77	136	196
42	613	594.8	190 *	38	77	136	196
43	627	608.9	190 *	38	77	136	196
44	641	623.1	190 *	38	77	136	196
45	655	637.2	190 *	38	77	136	196
46	669	651.4	190 *	38	77	136	196
47	684	665.5	190 *	38	77	136	196
48	698	679.6	190 *	38	77	136	196
49	712	693.8	190 *	38	77	136	196
50	726	707.9	190 *	38	77	136	196
51	740	722.05	190 *	38	77	136	196
52	754	736.19	190 *	38	77	136	196
53	768	750.33	190 *	38	77	136	196
54	783	764.47	200 *	38	77	136	196
55	797	778.61	200 *	38	77	136	196
56	811	792.75	200 *	38	77	136	196
57	825	806.9	200 *	38	77	136	196
58	839	821.04	200 *	38	77	136	196
59	853	835.18	200 *	38	77	136	196
60	867	849.32	200 *	38	77	136	196
61	887	863.46	200 *	38	77	136	196
65	938	920.0	200 *	38	77	136	196
70	1009	990.7	200 *	38	77	136	196
75	1080	1061.5	200 *	38	77	136	196
76	1094	1075.6	200 *	38	77	136	196
80	1150	1132.2	200 *	38	77	136	196
85	1221	1202.9	200 *	38	77	136	196
90	1292	1273.7	200 *	38	77	136	196
95	1362	1344.4	200 *	38	77	136	196
100	1432	1414.1	200 *	38	77	136	196
105	1504	1485.8	200 *	38	77	136	196
110	1575	1556.6	200 *	38	77	136	196
114	1631	1613.2	200 *	38	77	136	196
120	1716	1698.1	200 *	38	77	136	196

*Bu Ürünler Kaynaklıdır. * Welded Hub Series

2 " 32 B

ZİNCİR DİŞLİLERİ (DIN 8187 ISO / R 606) SPROCKETS (DIN 8187 ISO / R 606)



Perno Çapı Roller Ø 29,21 mm	Hatve Pitch 50,8 mm	B1: 29,4 mm
		B2: 87,4 mm
		B3: 146 mm

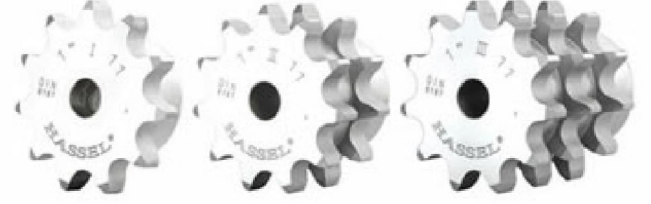
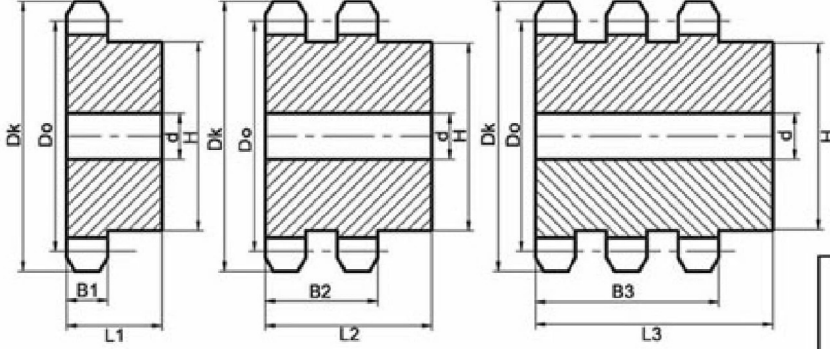
Z	Dk	Do	H	d	L1	L2	L3
7	138	117.1	74	38	60	118	187
8	154	132.7	90	38	60	118	187
9	169	148.5	108	38	60	118	187
10	185	164.4	123	38	60	118	187
11	201	180.3	115 *	38	77	135	194
12	217	196.3	125 *	38	77	135	194
13	233	212.3	140 *	38	77	135	194
14	249	228.3	150 *	38	77	135	194
15	265	244.3	160 *	38	77	135	194
16	281	260.4	160 *	38	77	135	194
17	298	276.5	160 *	38	77	135	194
18	314	292.6	170 *	38	77	135	194
19	330	308.7	170 *	38	77	135	194
20	346	324.7	170 *	38	77	135	194
21	362	340.9	170 *	38	77	135	194
22	378	357.0	170 *	38	77	135	194
23	394	373.1	170 *	38	77	135	194
24	410	389.2	170 *	38	77	135	194
25	426	405.3	170 *	38	77	135	194
26	442	421.4	170 *	38	77	135	194
27	459	437.6	170 *	38	77	135	194
28	475	453.7	170 *	38	77	135	194
29	491	469.8	170 *	38	77	135	194
30	507	486.0	180 *	38	77	135	194
31	523	502.2	180 *	38	77	135	194
32	539	518.3	180 *	38	77	135	194
33	555	534.4	180 *	38	77	135	194
34	572	550.6	180 *	38	77	135	194
35	588	566.7	180 *	38	77	135	194
36	604	582.9	180 *	38	77	135	194
37	620	599.0	180 *	38	77	135	194
38	636	615.2	180 *	38	77	135	194
39	652	631.3	180 *	38	77	135	194
40	669	647.5	190 *	38	77	135	194

Z	Dk	Do	H	d	L1	L2	L3
41	685	663.6	190 *	50	77	135	194
42	701	679.8	190 *	50	77	135	194
43	717	695.9	190 *	50	77	135	194
44	733	712.1	190 *	50	77	135	194
45	749	728.3	190 *	50	77	135	194
46	765	744.4	190 *	50	77	135	194
47	782	760.6	190 *	50	77	135	194
48	798	776.7	190 *	50	77	135	194
49	814	792.9	190 *	50	77	135	194
50	830	809.0	190 *	50	77	135	194
51	846	825.2	190 *	50	77	135	194
52	862	841.36	200 *	50	77	135	194
53	879	857.52	200 *	50	77	135	194
54	895	873.68	200 *	50	77	135	194
55	911	889.84	200 *	50	77	135	194
56	927	906.0	200 *	50	77	135	194
57	943	922.17	200 *	50	77	135	194
58	959	938.33	200 *	50	77	135	194
59	976	954.49	200 *	50	77	135	194
60	992	970.65	200 *	50	77	135	194
61	1008	986.82	200 *	50	77	135	194
65	1073	1051.5	200 *	50	77	135	194
70	1153	1132.3	200 *	50	77	135	194
75	1234	1213.1	200 *	50	77	135	194
76	1250	1229.3	200 *	50	77	135	194
80	1315	1293.9	200 *	50	77	135	194
85	1396	1374.8	200 *	50	77	135	194
90	1477	1455.6	200 *	50	77	135	194
95	1557	1536.4	200 *	50	77	135	194
100	1638	1617.3	200 *	50	77	135	194
105	1719	1698.1	200 *	50	77	135	194
110	1800	1779.0	200 *	50	77	135	194
114	1865	1843.6	200 *	50	77	135	194
120	1962	1940.6	200 *	50	77	135	194

*Bu Ürünler Kaynaklıdır. * Welded Hub Series

2 1/2 " 40 B

ZİNCİR DİŞLİLERİ (DIN 8187 ISO / R 606) SPROCKETS (DIN 8187 ISO / R 606)



Perno Çapı Roller Ø 39,37 mm	Hatve Pitch 63,5 mm	B1: 34 mm
		B2: 106 mm
		B3: 178 mm

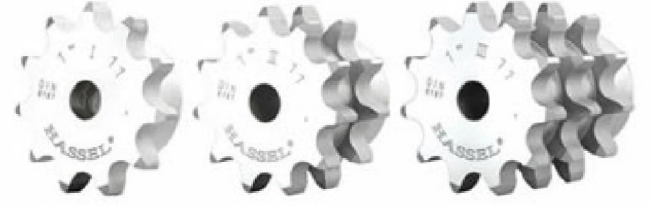
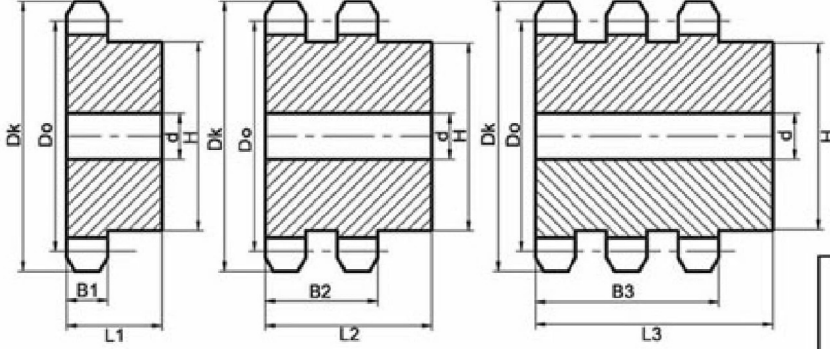
Z	Dk	Do	H	d	L1	L2	L3
7	172	146.4	120 *	38	82	154	226
8	192	165.9	120 *	38	82	154	226
9	212	185.7	120 *	38	82	154	226
10	232	205.5	120 *	38	82	154	226
11	251	225.4	130 *	38	82	154	226
12	271	245.4	140 *	38	82	154	226
13	291	265.4	150 *	38	82	154	226
14	311	285.4	160 *	38	82	154	226
15	331	305.4	170 *	38	82	154	226
16	351	325.5	180 *	38	82	154	226
17	372	345.6	180 *	38	82	154	226
18	392	365.7	180 *	38	82	154	226
19	412	385.8	180 *	38	82	154	226
20	432	405.9	180 *	38	82	154	226
21	452	426.1	190 *	38	82	154	226
22	472	446.2	190 *	38	82	154	226
23	492	466.3	190 *	38	82	154	226
24	512	486.5	190 *	38	82	154	226
25	533	506.7	190 *	38	82	154	226
26	553	526.8	190 *	38	82	154	226
27	573	547.0	190 *	38	82	154	226
28	593	567.1	190 *	38	82	154	226
29	613	587.3	190 *	38	82	154	226
30	634	607.5	190 *	50	82	154	226
31	654	627.7	200 *	50	82	154	226
32	674	647.8	200 *	50	82	154	226
33	694	668.0	200 *	50	82	154	226
34	714	688.2	200 *	50	82	154	226
35	734	708.4	200 *	50	82	154	226
36	755	728.6	200 *	50	82	154	226
37	775	748.8	200 *	50	82	154	226
38	795	769.0	200 *	50	82	154	226
39	815	789.2	200 *	50	82	154	226
40	835	809.4	200 *	50	82	154	226

Z	Dk	Do	H	d	L1	L2	L3
41	855	829.5	210 *	50	82	154	226
42	876	849.8	210 *	50	82	154	226
43	896	869.9	210 *	50	82	154	226
44	916	890.1	210 *	50	82	154	226
45	936	910.3	210 *	50	82	154	226
46	956	930.5	210 *	50	82	154	226
47	977	950.7	210 *	50	82	154	226
48	997	970.9	210 *	50	82	154	226
49	1017	991.1	210 *	50	82	154	226
50	1037	1011.3	210 *	50	82	154	226
51	1057	1031.5	220 *	50	82	154	226
52	1078	1051.7	220 *	50	82	154	226
53	1098	1071.9	220 *	50	82	154	226
54	1118	1092.1	220 *	50	82	154	226
55	1138	1112.3	220 *	50	82	154	226
56	1158	1132.5	220 *	50	82	154	226
57	1179	1152.7	220 *	50	82	154	226
58	1199	1172.9	220 *	50	82	154	226
59	1219	1193.1	220 *	50	82	154	226
60	1239	1213.3	220 *	50	82	154	226
61	1260	1233.6	220 *	50	82	154	226
65	1340	1314.3	230 *	50	82	154	226
70	1441	1415.4	230 *	50	82	154	226
75	1542	1516.4	230 *	50	82	154	226
76	1563	1536.6	230 *	50	82	154	226
80	1643	1617.4	230 *	50	82	154	226
85	1744	1718.5	230 *	50	82	154	226
90	1845	1819.5	230 *	50	82	154	226
95	1947	1920.6	230 *	50	82	154	226
100	2048	2021.6	230 *	50	82	154	226
105	2149	2122.7	230 *	50	82	154	226
110	2250	2223.7	230 *	50	82	154	226
114	2331	2304.5	230 *	50	82	154	226
120	2452	2425.8	230 *	50	82	154	226

*Bu Ürünler Kaynaklıdır. * Welded Hub Series

3 " 48 B

ZİNCİR DİŞLİLERİ (DIN 8187 ISO / R 606) SPROCKETS (DIN 8187 ISO / R 606)



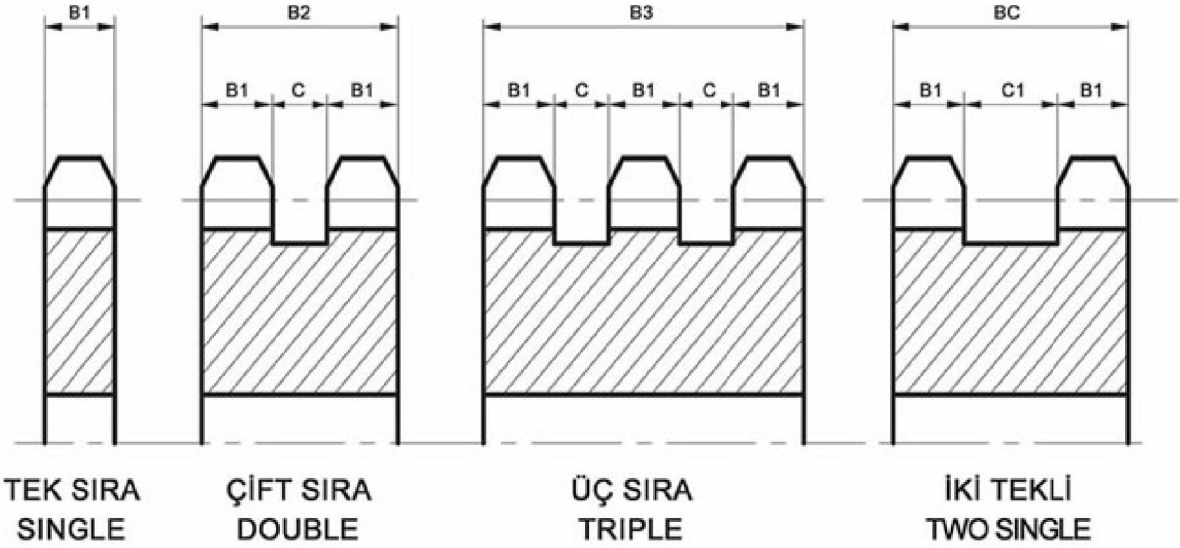
Perno Çapı Roller Ø 48,26 mm	Hatve Pitch 76,20 mm	B1: 41 mm
		B2: 132 mm
		B3: 223 mm

Z	Dk	Do	H	d	L1	L2	L3
7	208	175.6	140 *	38	89	180	271
8	231	199.1	140 *	38	89	180	271
9	255	222.8	140 *	38	89	180	271
10	279	246.6	140 *	38	89	180	271
11	302	270.4	150 *	38	89	180	271
12	326	294.4	160 *	38	89	180	271
13	350	318.4	170 *	38	89	180	271
14	374	342.4	180 *	38	89	180	271
15	398	366.5	190 *	38	89	180	271
16	423	390.6	200 *	38	89	180	271
17	447	414.7	200 *	38	89	180	271
18	471	438.8	200 *	38	89	180	271
19	495	463.0	200 *	38	89	180	271
20	519	487.1	200 *	38	89	180	271
21	543	511.3	210 *	50	89	180	271
22	567	535.5	210 *	50	89	180	271
23	592	559.6	210 *	50	89	180	271
24	616	583.8	210 *	50	89	180	271
25	640	608.0	210 *	50	89	180	271
26	664	632.2	210 *	50	89	180	271
27	688	656.4	210 *	50	89	180	271
28	712	680.5	210 *	50	89	180	271
29	737	704.8	210 *	50	89	180	271
30	761	729.0	210 *	50	89	180	271
31	785	753.2	220 *	50	89	180	271
32	806	774.4	220 *	50	89	180	271
33	834	801.6	220 *	50	89	180	271
34	858	825.9	220 *	50	89	180	271
35	882	850.1	220 *	50	89	180	271
36	906	874.3	220 *	50	89	180	271
37	931	898.6	220 *	50	89	180	271
38	955	922.8	220 *	50	89	180	271
39	980	947.8	220 *	50	89	180	271
40	1003	971.2	220 *	50	89	180	271

Z	Dk	Do	H	d	L1	L2	L3
41	1027	995.4	230 *	38	89	180	271
42	1052	1019.7	230 *	38	89	180	271
43	1076	1043.9	230 *	38	89	180	271
44	1100	1068.2	230 *	38	89	180	271
45	1124	1092.4	230 *	38	89	180	271
46	1149	1116.6	230 *	38	89	180	271
47	1173	1140.9	230 *	38	89	180	271
48	1197	1165.1	230 *	38	89	180	271
49	1221	1189.3	230 *	38	89	180	271
50	1246	1213.6	230 *	38	89	180	271
51	1270	1237.8	240 *	38	89	180	271
52	1294	1262.0	240 *	38	89	180	271
53	1318	1286.3	240 *	38	89	180	271
54	1342	1310.5	240 *	38	89	180	271
55	1367	1334.8	240 *	50	89	180	271
56	1391	1359.0	240 *	50	89	180	271
57	1405	1383.3	240 *	50	89	180	271
58	1439	1407.5	240 *	50	89	180	271
59	1464	1431.7	240 *	50	89	180	271
60	1488	1456.0	240 *	50	89	180	271
61	1512	1480.2	240 *	50	89	180	271
65	1609	1577.2	250 *	50	89	180	271
70	1730	1698.4	250 *	50	89	180	271
75	1852	1819.7	250 *	50	89	180	271
76	1876	1843.9	250 *	50	89	180	271
80	1973	1940.9	250 *	50	89	180	271
85	2094	2062.2	250 *	50	89	180	271
90	2215	2183.4	250 *	50	89	180	271
95	2337	2304.7	250 *	50	89	180	271
100	2458	2425.9	250 *	50	89	180	271
105	2579	2547.2	250 *	50	89	180	271
110	2700	2668.4	250 *	50	89	180	271
114	2797	2765.5	250 *	50	89	180	271
120	2943	2911.0	250 *	50	89	180	271

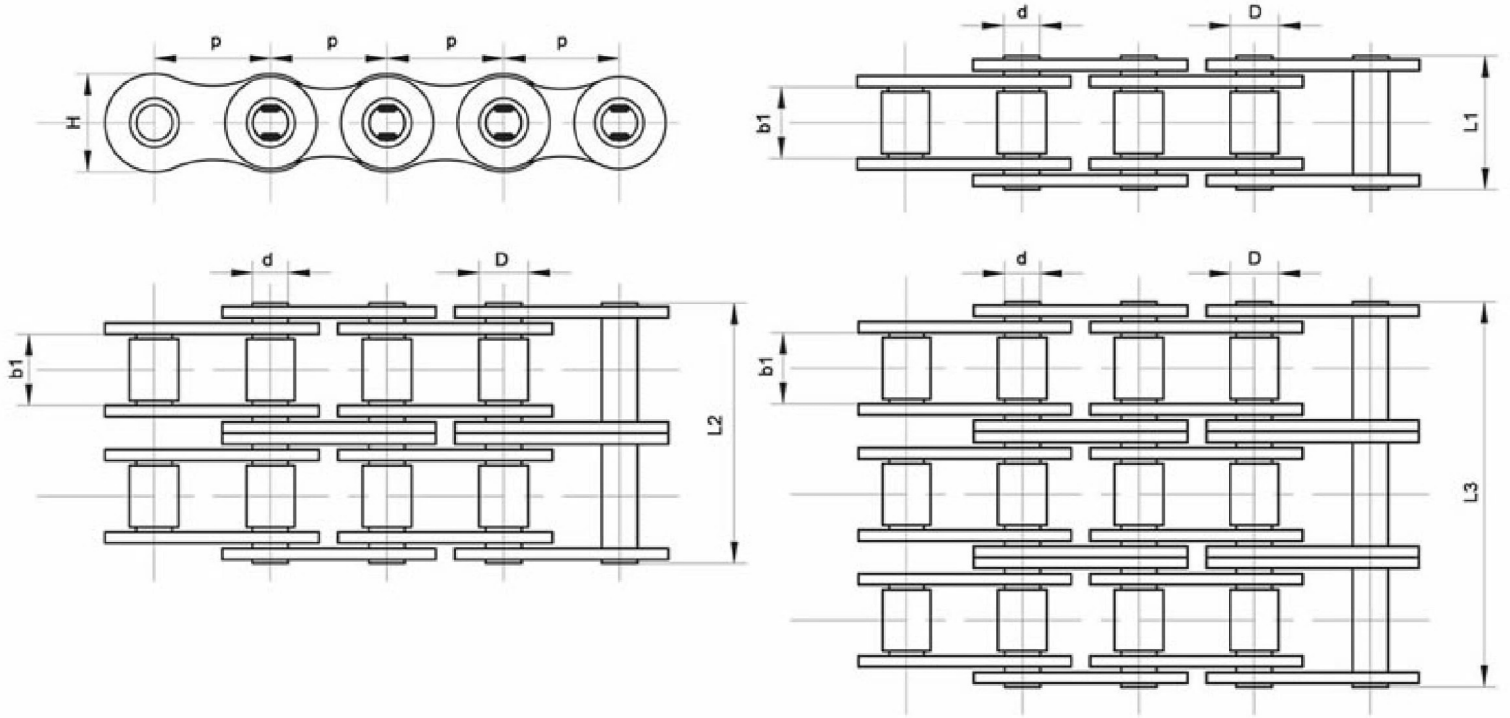
*Bu Ürünler Kaynaklıdır. * Welded Hub Series

STANDART ZİNCİR DİŞLİLERİ (DIN 8187 ISO / R 606)
STANDARD SPROCKETS (DIN 8187 ISO / R 606)



MODÜL	B1	B2	B3	C	C1	BC
6 mm 04B	2,6	-----	-----	-----	7,4	12,6
8 mm 05B	2,8	8,3	-----	2,7	9,2	14,8
3/8" 06B	5,3	15,6	25,6	5	12,7	23,3
1/2" 08B	7,2	21	35	6,6	12,8	27,2
5/8" 10B	9,1	25,6	42,1	7,4	13,9	32,1
3/4" 12B	11,1	30,3	49,8	8,1	13,9	36,1
1" 16B	16,2	47,7	79,6	15,3	27,8	60,2
1 1/4" 20B	18,6	54,6	91	17,4	29,4	66,6
1 1/2" 24B	24,1	72	120,3	23,8	37,9	86,1
1 3/4" 28B	29,4	88,4	148	29,6	43,6	102,4
2" 32B	29,4	87,4	146	28,6	48,6	107,4
2 1/2" 36B	34	106	178	38	56	124
3" 40B	41	132	223	50	69	151

STANDART TİP MAKARALI ZİNCİRLER (DIN 8187 ISO / R 606)
STANDARD TYPE ROLLER CHAINS (DIN 8187 ISO / R 606)



ISO NO.	p	d	b1	D	L1	L2	L3	H
6 mm 04B	6,00	1,85	2,80	4,00	7,40	---	---	5,00
8 mm 05B	8,00	2,31	3,00	5,00	8,60	14,30	---	7,10
3/8" 06B	9,53	3,28	5,72	6,35	13,50	23,80	34,00	8,20
1/2" 08B	12,70	3,66	7,75	8,51	17,00	31,00	44,90	11,80
5/8" 10B	15,88	5,08	9,65	10,16	19,60	36,20	52,80	14,70
3/4" 12B	19,05	5,72	11,68	12,07	22,70	42,20	61,70	16,10
1" 16B	25,40	8,27	17,02	15,88	36,10	68,00	99,90	21,00
1 1/4" 20B	31,75	10,19	19,56	19,05	43,20	79,00	116,00	26,40
1 1/2" 24B	38,10	14,63	25,40	25,40	53,40	101,00	150,00	33,40
1 3/4" 28B	44,45	15,90	30,99	27,94	65,10	124,00	184,00	37,00
2" 32B	50,80	17,81	30,99	29,21	67,40	126,00	184,00	42,20
2 1/2" 36B	63,50	22,89	38,10	39,37	82,60	154,00	227,00	52,90
3" 40B	76,20	29,24	45,72	48,26	99,10	190,00	281,00	63,80