



Professional Manufacturing
Use automated equipment and high precision process to produce excellent high technology chain.

Technology Innovation
Advanced research and development is our core competence to make the best tolerance of product specification, to eliminate the friction of each parts, and then come up with the highest chain durability and fatigue strength.

Quality Commitment
AM obtained ISO-9001 certification, through use of accurate measuring equipment to ensure quality consistency.



www.amgroup.tw

A MAN POWER TRANSMISSION CO., LTD.
9F-2, No.12, Zhonghua Rd.,Yongkang Dist.,
Tainan City 710, Taiwan
Tel:+886-6-3113166 Fax:+886-6-3128266
E-mail:sales@amgroup.tw

Palm oil Chain

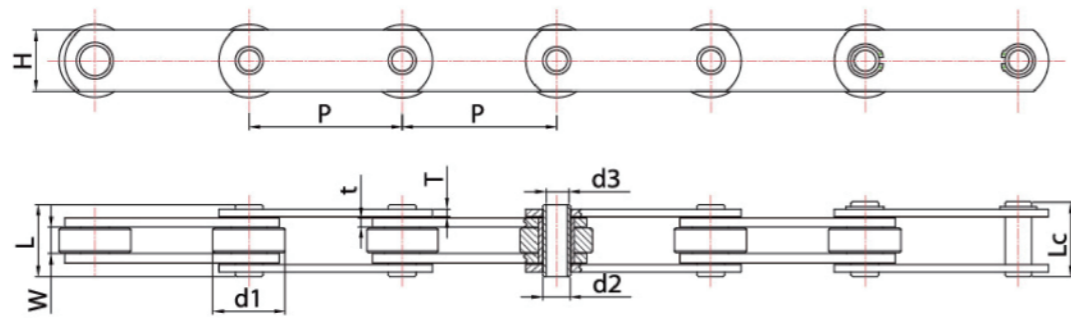


A MAN POWER TRANSMISSION CO.,LTD.



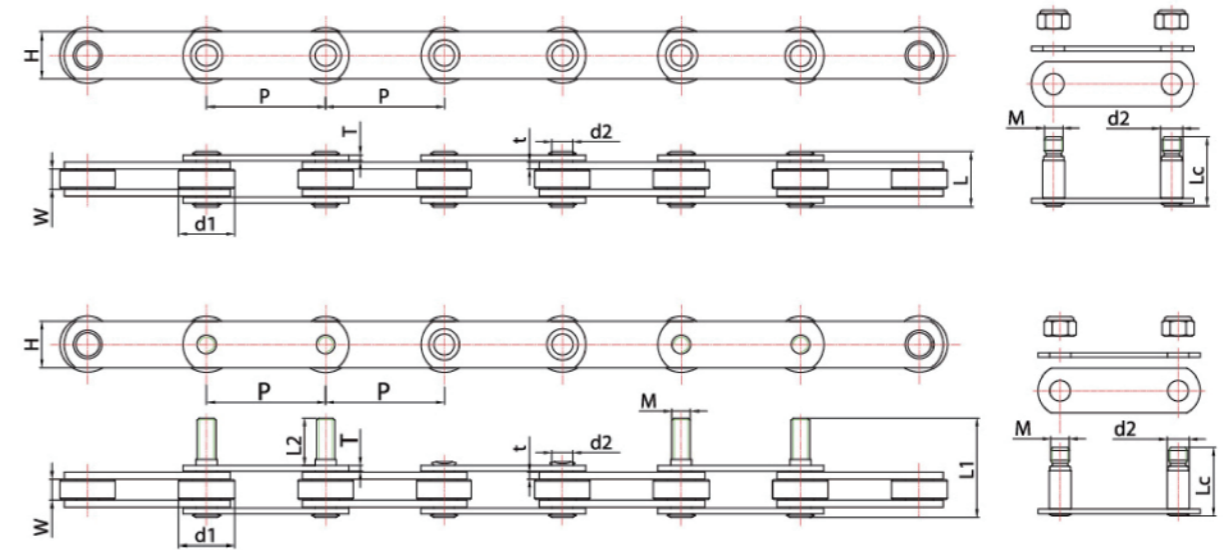
Palm Oil Conveyor Chain

Hollow Bearing Pin



Model No.	Pitch	Roller Link Width	Roller Outer Diameter	Pin Outer Diameter	Pin Length		Link Plate Height	Link Plate Thickness	Minimum Tensile Strength	
	P	W (Min)	d1 (Max)	d2	d3	L (Max)	Lc (Max)	H (Max)	T/t	Min
	mm	mm	mm	mm	mm	mm	mm	mm	mm	kgf(lbf)
04030KOR HP	101.60	19.00	47.60	19.05	13.20	45.50	47.50	41.00	4.10/5.10	10640 (30000)
06050KOR HP	152.40	25.40	66.70	27.00	20.10	59.80	63.00	51.80	5.25/7.25	22700 (50000)

Solid Bearing Pin



Model No.	Pitch	Roller Link Width	Roller Outer Diameter	Pin Outer Diameter	Pin Length			Extended pin length	Link Plate Height	Link Plate Thickness	Lock nut	Minimum Tensile Strength
	P	W (Min)	d1 (Max)	d2	L (Max)	L1 (Max)	Lc (Max)	L2	H (Max)	T/t	M	Min
	mm	mm	mm	mm	mm	mm	mm	mm	mm	mm	/	kgf(lbf)
04036KOR	101.60	19.00	47.60	19.00	45.50	/	58.80	/	41.00	4.10/5.10	M16	16360 (36000)
04038KOR	101.60	19.00	47.60	19.00	45.50	/	58.80	/	41.00	4.10/5.10	M16	17234 (38000)
06060KOR	152.40	25.40	66.70	27.00	59.80	/	77.00	/	51.80	5.25/7.25	M22	27240 (60000)
04036KOR-D3	101.60	19.00	47.60	19.00	45.50	83.20	58.80	40.00	41.00	4.10/5.10	M16	16360 (36000)
04038KOR-D3	101.60	19.00	47.60	19.00	45.50	83.20	58.80	40.00	41.00	4.10/5.10	M16	17234 (38000)
06060KOR-D3	152.40	25.40	66.70	27.00	59.80	110.00	77.00	52.20	51.80	5.25/7.25	M22	27240 (60000)

