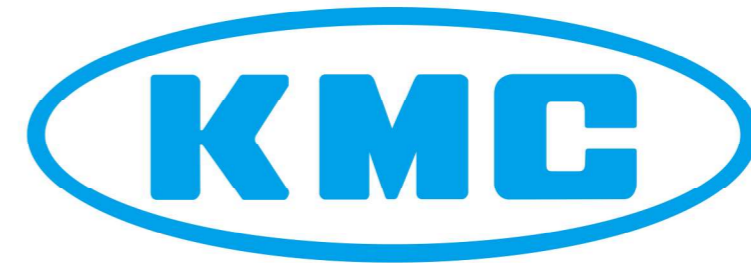


A MAN POWER TRANSMISSION CO., LTD.



AMazing power transmission



MOTORCYCLE CHAIN

**AM (HEADQUARTERS)**

A MAN POWER TRANSMISSION CO., LTD.  
9F-2, No.12, Zhonghua Rd., Yongkang Dist.,  
Tainan City 710, Taiwan  
Tel.: +886-6-311 3166  
Fax: +886-6-312 8266  
E-mail: sales@amgroup.tw

**AM (CHINA)**

DONGGUAN TRANSTON CHAIN CO., LTD.  
No.23, Xinyuan S.Rd., Shahu Village, Tangxia Town,  
Dongguan City, Guangdong Province, China  
Tel.: +86-769-8200 8808  
Fax: +86-769-8200 8800

**AM (CHINA)**

KMC CHAIN (TAICANG) CO., LTD.  
No.165, Zhenghe Middle Rd., Ludu Town, Taicang City,  
Jiangsu Province, China  
Tel.: +86-512-5345 7988  
Fax: +86-512-5345 0286

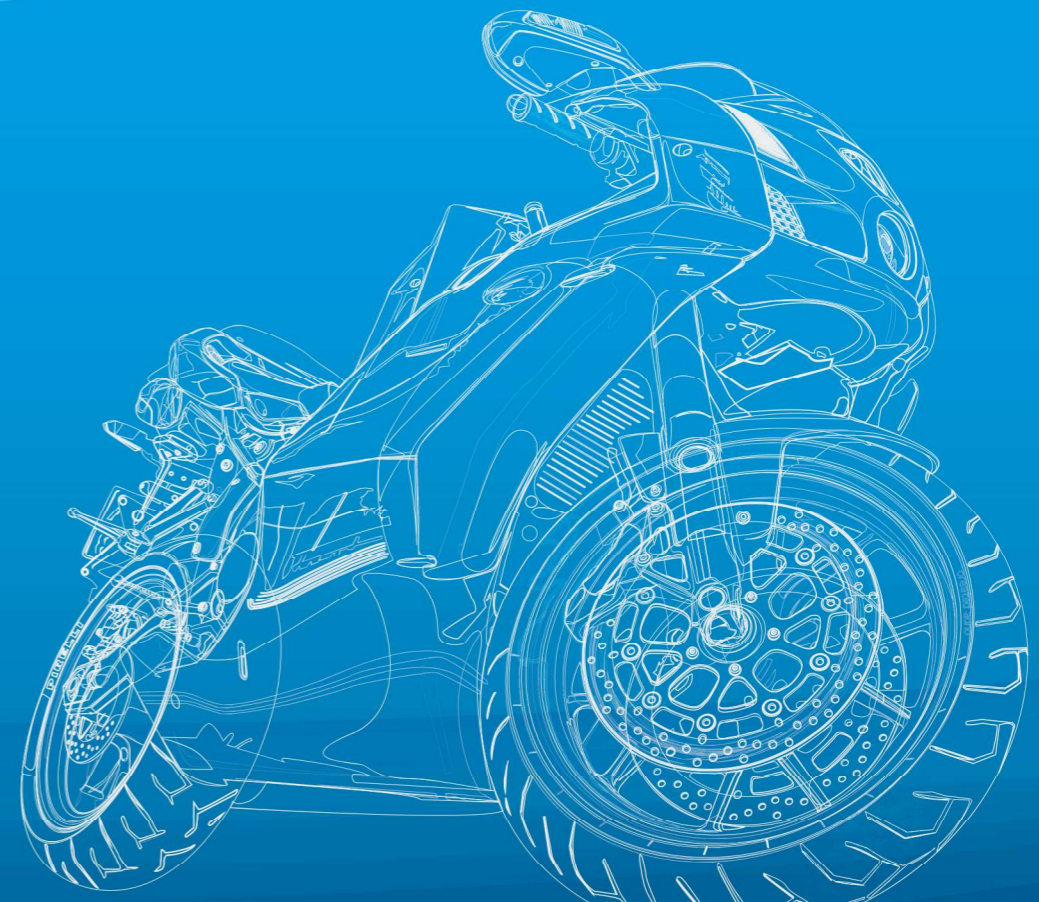
**AM (CHINA)**

CHONGQING TRANSTON CHAIN CO., LTD.  
No.2, Xinfang Rd., Area B, Luohuang Industrial Zone,  
Jiangjin Dist., Chongqing City, China  
Tel.: +86-23-4763 7728  
Fax: +86-23-4763 7726



[www.amgroup.tw](http://www.amgroup.tw)

Copyright © 2015 A MAN POWER TRANSMISSION CO., LTD. All rights reserved. | 150415-01-0101



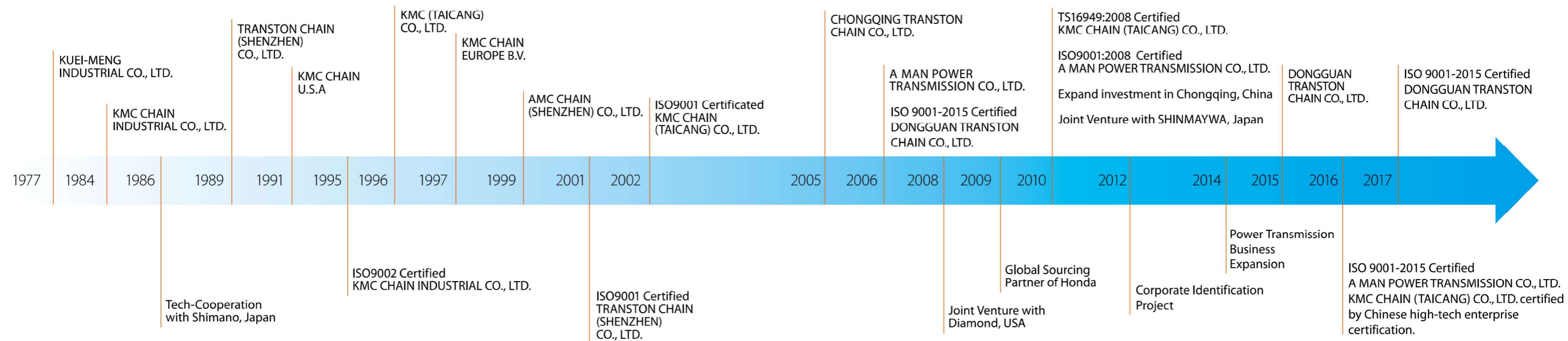
## About AM

AM has dedicated into manufacturing and becomes the leading chain manufacturer within the 41 years of operation. AM has the capability of offering products with superior quality, serving for global original equipment demands and aftermarket customer demands. With years of efforts, AM now has factories in Asia with ISO-9001 & TS-16949 certificates. In order to achieve the most efficient production management, AM practices the advanced engineering in its plants.

The products of KMC roller chain cover motorcycle and industrial fields. In the motorcycle chain field, AM has supplied to Japanese motorcycle manufacturers successfully. Regarding of industrial chain field, the original equipment customers in Europe, Japan and U.S. consider AM an important strategic partner as well.

AM is the leading one amongst the chain industry, and yet, the company is not satisfied and is committed to excel for creating the most reliable and joyful chain using experience for the customers.

### Over 41 years, AM never stops



### Continuous Expansion to Exceed International Standards


### Strategic Cooperations to Explore Business Territories

# ICONS DESCRIPTION



Equipped with round-shaped seal

O-Ring




Chain with special pin riveting system to increase tensile strength and fatigue resistance

Quad Riveting



Designed for on-road use

On Road



Designed for off-road bikes

Motocross



With gold-colored plating and corrosion resistance

Gold Plating



With silver-colored nickel plating and corrosion resistance

Silver Plating



With special plating and excellent corrosion resistance

RustBuster




With heavier plates to increase tensile strength

Heavy Duty




With advanced heat treatment to reduce chain weight

Light Weight




Low noise during operation

Noiseless



Equipped with specially processed pin to increase wear resistance

SP Pin



Equipped with solid bushing to upgrade fatigue resistance

Solid Bush



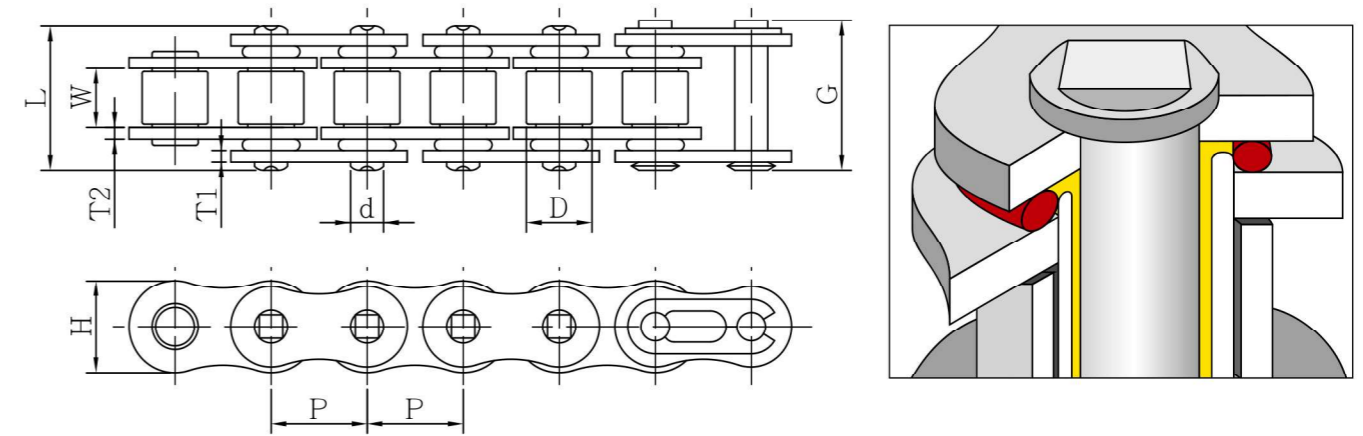
Model No.	O-Ring	SP Pin	Solid Bushing	Light Weight	Heavy Duty	Quad Riveting	Noiseless	On Road	Motocross
530SU0	●		●		●	●		●	●
525SU0	●		●			●		●	●
520U0	●		●			●		●	●
428U0	●		●			●		●	●
520DX		●	●			●		●	●
428DX		●	●			●		●	●
420DX		●	●					●	●
530H					●			●	
520H					●			●	
428HG					●			●	
415E				●				●	
2023LN				●	●		●		
2034LN				●	●		●		
2045LN				●	●		●		
2023LW					●		●		
2034LW					●		●		
2045LW					●		●		
25H					●				
25HD		●			●				
25HG					●+				



## SEALED CHAIN



Special design of sealed-in lubrication makes KMC sealed chain work to its optimum life. Superior alloy steel is adopted and heat treated to provide the best performance in strength. In addition, special formulated grease contained by durable ring in between solid bushing and hardened pin keeps constant lubrication, and extremely eliminates the friction during operation. Least wear results in least chain stretch and prolongs its service life.



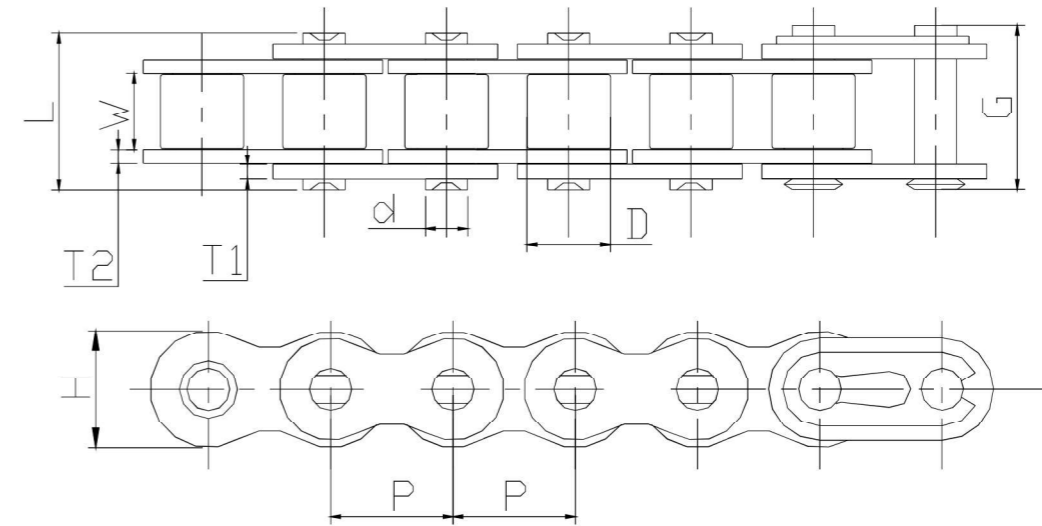
Model No.	Pitch	Roller Link Width (Min)	Roller Dia. (Max)	Pin Link Plate Thickness	Inner Link Plate Thickness	Inner Link Plate Height	Pin Dia.	Overall Width Riv.	Overall Width Con.	Minimum Tensile Strength	Average Tensile Strength	Displacement Application (Max)
	P	W	D	T1	T2	H	d	L	G	/	/	/
Unit	mm	mm	mm	mm	mm	mm	mm	mm	mm	Kgf	Kgf	cc
428UO	12.7	7.85	8.51	1.8	1.8	12.10	4.51	20.10	21.80	2100	2400	150
520UO	15.875	6.25	10.16	2.2	2.2	14.70	5.24	20.65	21.85	3300	3600	400
525SUO	15.875	7.85	10.16	2.2	2.2	14.70	5.24	22.35	22.35	3900	4100	750
530SUO	15.875	9.40	10.16	2.4	2.4	15.25	5.35	24.70	24.70	4300	4500	900



# MOTOCROSS CHAIN



For off-road application, chain should be promoted with upgraded steel alloy for all parts, subjects to going through exclusive heat-treating process as well, to remarkably reinforce its toughness against rugged terrain riding. KMC employs chromized pin and solid bushing into this chain to boost up its wear endurance and shock absorption. Its outstanding performance does help inviting enjoyment and excitement to cyclist while going extreme.



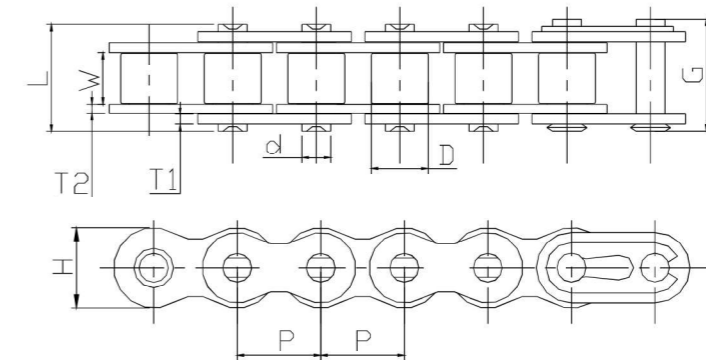
Model No.	Pitch	Roller Link Width (Min)	Roller Dia. (Max)	Pin Link Plate Thickness	Inner Link Plate Thickness	Inner Link Plate Height	Pin Dia.	Overall Width Riv.	Overall Width Con.	Minimum Tensile Strength	Average Tensile Strength	Displacement Application (Max)
	P	W	D	T1	T2	H	d	L	G	/	/	/
Unit	mm	mm	mm	mm	mm	mm	mm	mm	mm	Kgf	Kgf	cc
420DX	12.7	6.25	7.77	1.8	1.8	11.8	3.95	16.25	17.70	2100	2350	125
428DX	12.7	7.85	8.51	2.0	2.0	11.9	4.51	18.80	20.00	2500	3000	150
520DX	15.875	6.25	10.16	2.0	2.0	14.85	5.14	17.35	19.35	3500	3950	400



## DRIVE CHAIN



KMC offers a full range of selection for regular motorcycle chains that feature the properties of high performance, durability and accuracy. Under strictly controlled manufacturing process, components are well incorporated to meet the rigid quality requirements and allow this series of products to contribute the best value due to consistent stability.



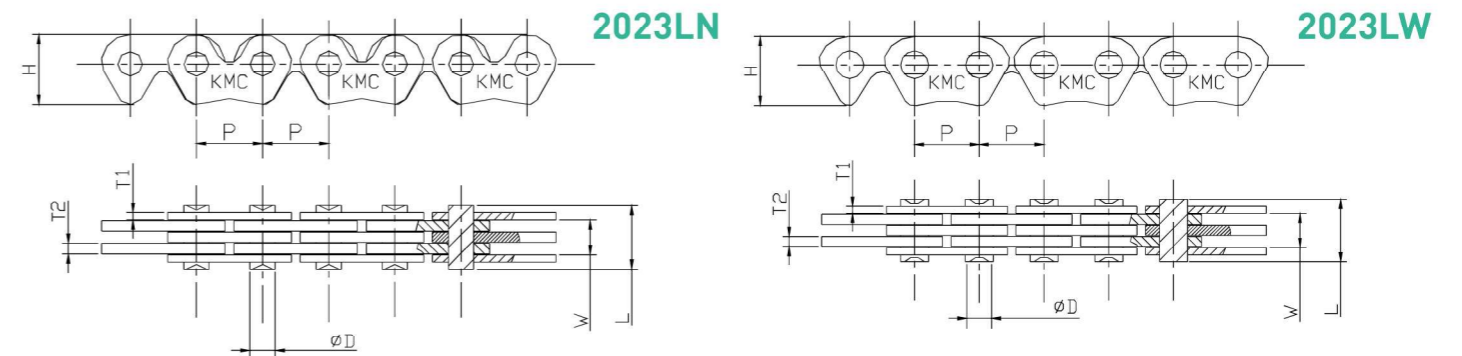
Model No.	Pitch	Roller Link Width (Min)	Roller Dia. (Max)	Pin Link Plate Thickness	Inner Link Plate Thickness	Inner Link Plate Height	Pin Dia.	Overall Width Riv.	Overall Width Con.	Minimum Tensile Strength	Average Tensile Strength	Displacement Application (Max)
	P	W	D	T1	T2	H	d	L	G	/	/	/
Unit	mm	mm	mm	mm	mm	mm	mm	mm	mm	Kgf	Kgf	cc
415E	12.7	4.88	7.77	1.1	1.4	10.1	3.95	12.20	13.35	1250	1390	50
415H	12.7	4.68	7.77	1.5	1.5	11.8	3.95	13.00	14.70	1810	1900	80
420	12.7	6.25	7.77	1.5	1.5	11.8	3.95	14.70	16.30	1640	1850	90
420H	12.7	6.25	7.77	1.8	1.8	11.8	3.95	15.90	17.35	1840	2100	100
428	12.7	7.85	8.51	1.5	1.5	12.15	4.45	16.25	17.70	1820	1950	125
428H	12.7	7.85	8.51	1.8	1.8	12.0	4.45	17.55	19.05	2180	2300	125
428HG	12.7	7.85	8.51	2.0	2.0	11.9	4.51	18.80	20.00	2200	2450	150
520	15.875	6.25	10.16	2.0	2.0	14.75	5.07	16.85	19.00	2710	3050	250
520H	15.875	6.25	10.16	2.35	2.35	14.75	5.07	18.25	20.20	3100	3300	250
525	15.875	7.85	10.16	2.0	2.0	14.75	5.07	18.45	20.50	2710	3050	250
525H	15.875	7.85	10.16	2.35	2.35	14.75	5.07	20.60	22.55	3100	3300	250
530	15.875	9.40	10.16	2.0	2.0	14.75	5.07	20.00	21.55	2710	3050	250
530H	15.875	9.40	10.16	2.35	2.35	14.75	5.07	21.55	23.50	3100	3300	400



## SILENT CHAIN



This series is precisely fabricated with high grade of alloy materials for engine timing application. With advanced stamping method on link plates and exclusive heat-treatment, it maximizes the contact area with sprocket and largely decreases chain strength because of excellent friction and impact resistance. Of course, the running noise is drastically lowered at the same time. The integrated properties of KMC silent chain qualify itself as an ideal option for smooth engaging mechanism and minimum energy loss in power transmission.



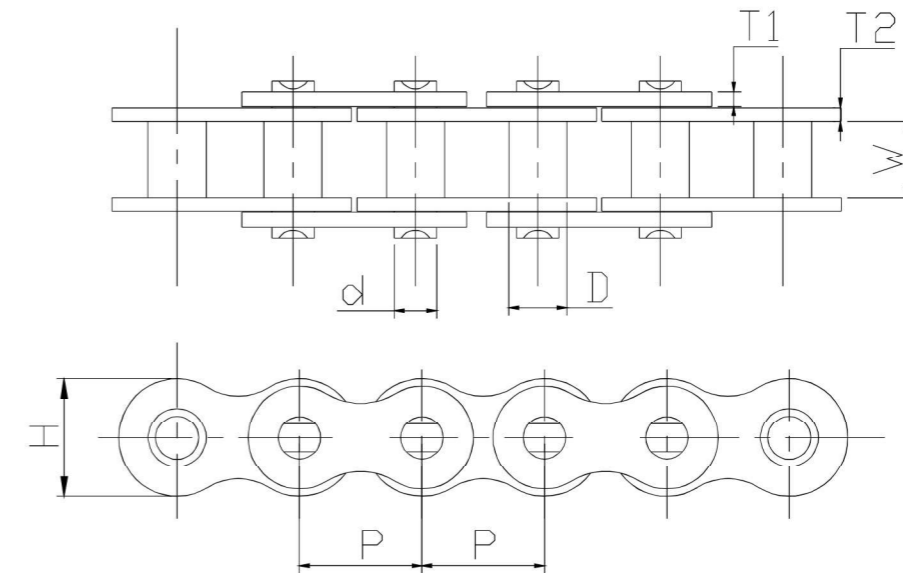
Model No.	Pitch	Inner Link Width (Min)	Outer Plate Thickness	Inner Plate Thickness	Inner Plate Height	Pin Dia.	Overall Width Riv.	Minimum Tensile Strength	Average Tensile Strength
	P	W	T1	T2	H	D	L	/	/
Unit	mm	mm	mm	mm	mm	mm	mm	Kgf	Kgf
2023LN	6.35	3.05	0.7	1.0	6.70	2.42	6.10	550	660
2034LN	6.35	5.10	0.7	1.0	6.70	2.42	8.25	800	1100
2045LN	6.35	7.15	1.0	1.0	6.70	2.42	10.90	1050	1300
2023LW	6.35	3.05	0.7	1.0	6.72	2.72	6.10	520	620
2034LW	6.35	5.10	0.7	1.0	6.72	2.72	8.25	700	850
2045LW	6.35	7.15	1.0	1.0	6.72	2.72	10.90	950	1100



## CAM CHAIN



It is fundamentally designed for high speed running. Special and adequate heat-treatment generates tougher hardness against friction and superior strength against fatigue. With coexisting capabilities of stretch resistance and low noise, this chain is considerably recommended for engine timing application.



Model No.	Pitch	Roller Link Width (Min)	Bushing Dia (Max)	Pin Link Plate Thickness	Inner Link Plate Thickness	Inner Link Plate Height	Pin Dia.	Overall Width Riv.	Minimum Tensile Strength	Average Tensile Strength
	P	W	D	T1	T2	H	d	/	/	/
Unit	mm	mm	mm	mm	mm	mm	mm	mm	Kgf	Kgf
25H	6.35	3.18	3.30	1.0	1.0	5.9	2.31	8.9	550	650
25HD	6.35	3.18	3.30	1.0	1.0	5.9	2.31	8.9	550	650
25HG-A	6.35	3.18	3.30	1.15	1.15	5.9	2.31	9.2	620	695
219HG	7.774	4.68	4.59	1.3	1.4	7.5	3.03	12.1	900	1050
219SH	7.774	4.60	4.63	1.3	1.4	7.5	3.03	12.0	1000	1200

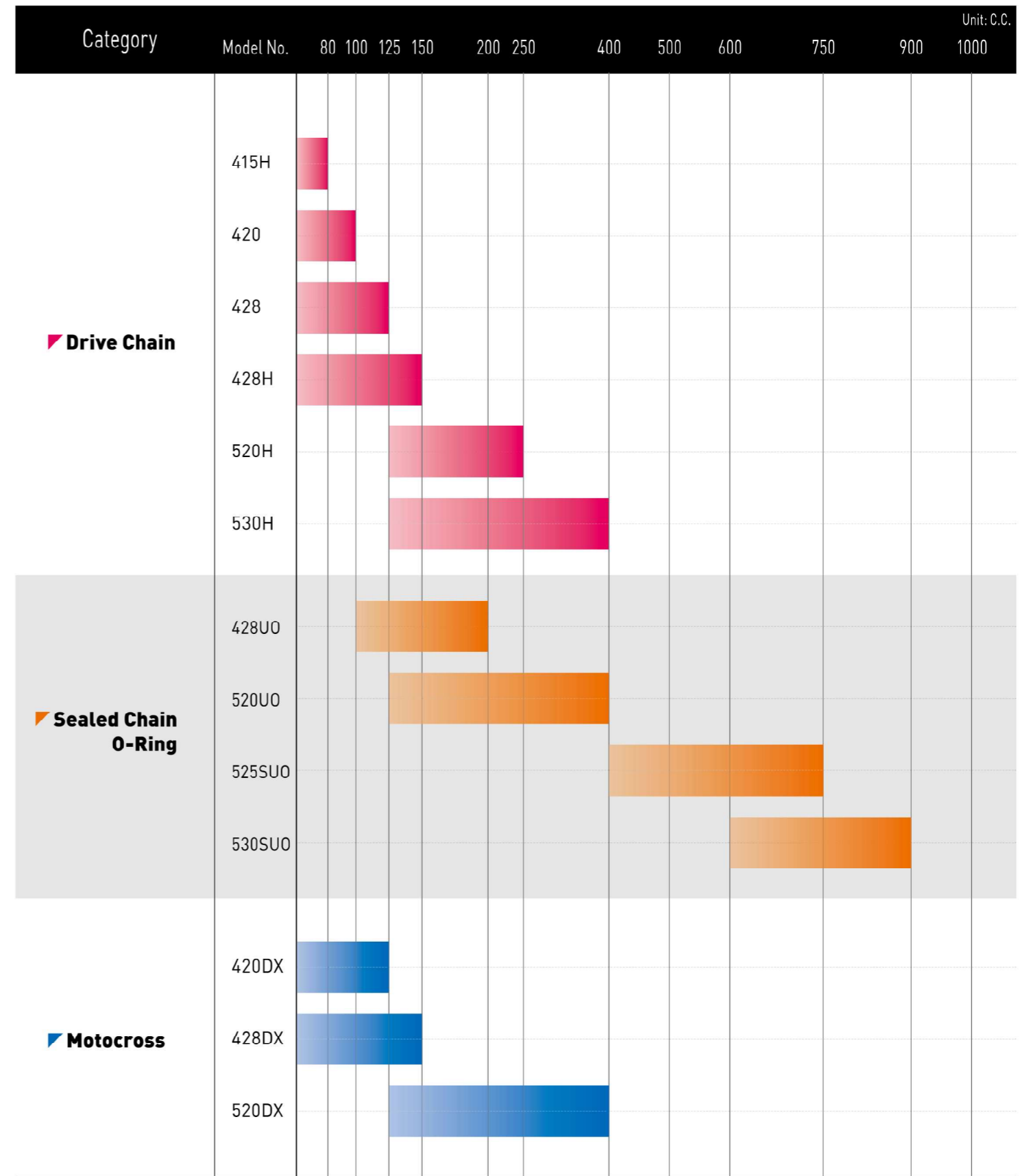


**WHAT KMC CAN OFFER IS MORE THAN CHAIN PRODUCTS.**

**KMC ChainMate** is the perfect hand tool which is specially designed for user's cutting, riveting and assembling the sealed chains.



## APPLICATION RANGE



**NOTE**

---

---

---

---

---

---

---

---

---

---

---

---

---

---

---

---

---

---

---

---

---

---

---

---

---

---

---

---

---

---

---

---

---

---

---

---

---

---

---

---

---

---

---

---

---

---

---

---